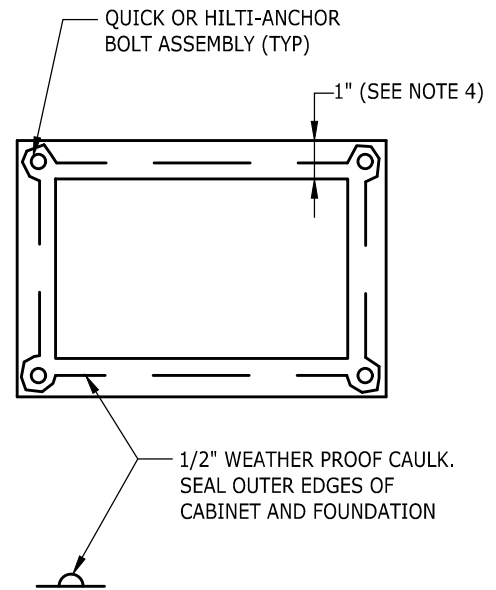
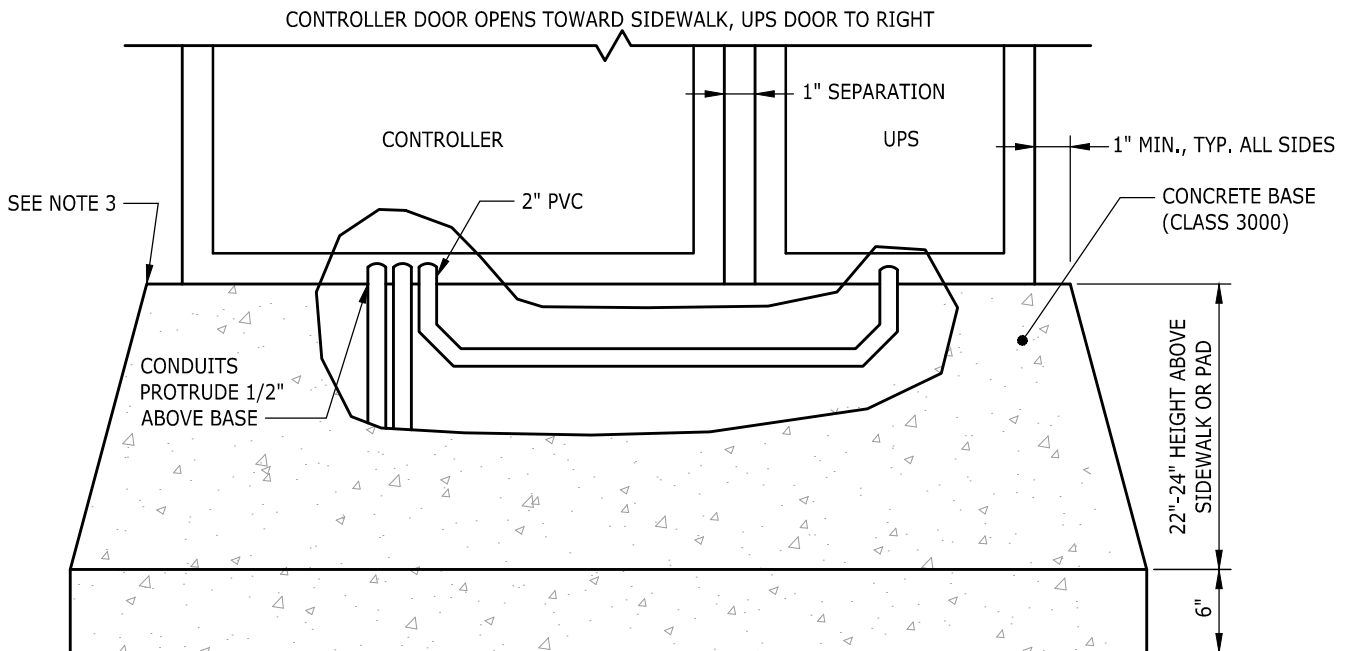


TOP VIEW OF BASE



BOTTOM VIEW OF CABINET



NOTES:

1. PAINT TOP OF BASE SILVER.
2. DRAIN HOLE SHALL NOT BE INSTALLED.
3. THE TOP OF THE BASE SHALL BE FLAT AND LEVEL.
4. TOP OF BASE IS 1" WIDER THAN CONTROLLER CABINET ON ALL FOUR SIDES.

NOTE: THIS PLAN IS NOT A LEGAL ENGINEERING DOCUMENT BUT AN ELECTRONIC DUPLICATE. THE ORIGINAL, SIGNED BY THE ENGINEER AND APPROVED FOR PUBLICATION IS KEPT ON FILE AT THE CITY OF KENT. A COPY MAY BE OBTAINED UPON REQUEST.



	CITY OF KENT ENGINEERING DEPARTMENT	
	TRAFFIC SIGNAL CONTROLLER CABINET BASE	
DESIGNED <u>COK</u>	SCALE <u>NONE</u>	STANDARD PLAN
DRAWN <u>COK</u>	DATE <u>12/2019</u>	6-97
CHECKED <u>COK</u>	ENGINEER	
APPROVED _____		