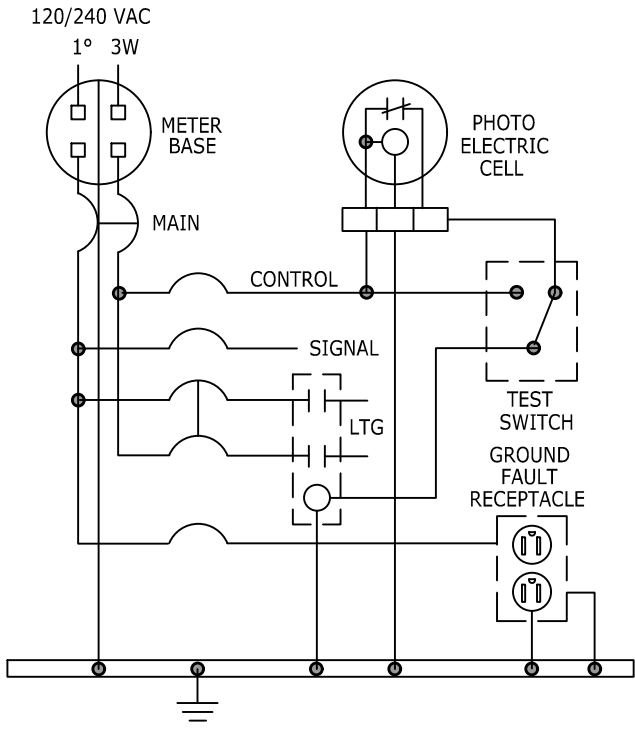


COMPONENT SCHEDULE

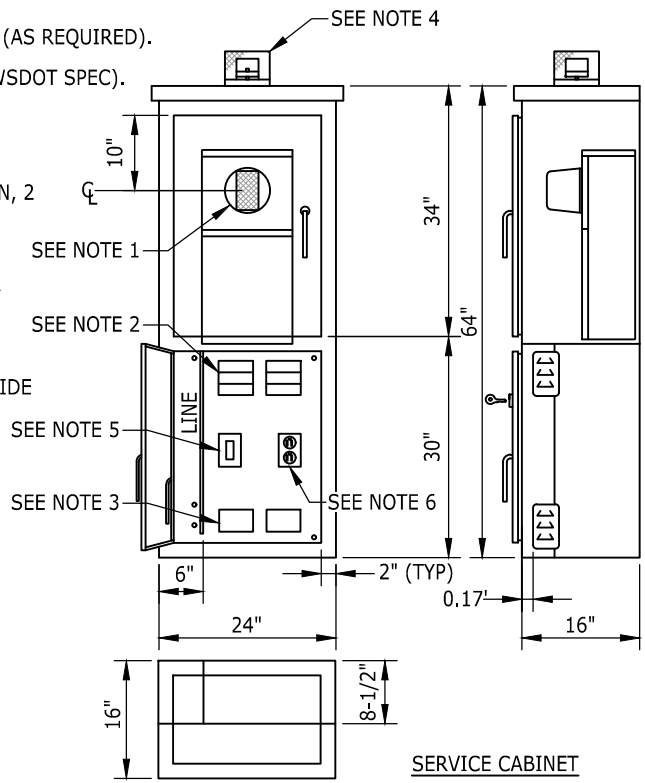
- 1 METERBASE: 100 AMP ILLUSTRATED. PROVIDE 150 AMP WHEN AND IF DESIGN LOAD REQUIRES, 4 JAW SAFETY SOCKET, AW #114TB, WITH 5TH JAW AT 9:00 POSITION (CONTRACTOR TO VERIFY WITH SERVING UTILITY).
 - 2 PANELBOARD: 120/240 VAC, 100 AMP (150 AMP IF NEEDED), 1 PHASE, 3 WIRE, COPPER BUS, 12 CKT 100 AMP MAIN BREAKER, WESTINGHOUSE BAB2100, 2 POLE WESTINGHOUSE BAB BOLT-ON BRANCH BREAKERS:
 4-20/2 ILLUMINATION BRANCH;
 1-40/1 SIGNAL BRANCH;
 1-20/1 GROUND FAULT RECEPTACLE & CONTROL BRANCH.
 - 3 CONTACTOR: LIGHTING RATED, 30 AMP, 4 POLE, 120 VAC COIL, (AS REQUIRED).
 - 4 PHOTO ELECTRIC CELL: 1800VA, 120 VAC, ALR #SST-IES (PER WSDOT SPEC).
 - 5 PHOTO-CELL BYPASS SWITCH, SPDT, 15 AMP, 277 VAC.
 - 6 GROUND FAULT RECEPTACLE, 120 VAC, DUPLEX, 20A
- CABINET: NEMA 3R, PADMOUNT, 1/8" ALUMINUM CONSTRUCTION, 2 SCREENED AND GASKETED VENTS

DOORS: HEAVY DUTY CONCEALED HINGES (LIFT-OFF TYPE)
 STAINLESS STEEL VAULT HANDLES, PADLOCKABLE METER DOOR
 BEST BLUE CONSTRUCTION LOCK ON DISTRIBUTION DOOR
 POLISHED WIRE GLASS WINDOW IN METER DOOR
 CLOSED CELL NEOPRENE GASKET, CARD HOLDER
 FINISH: POLYESTER POWDER COAT, NONE OUTSIDE, WHITE INSIDE



ONE-LINE DIAGRAM

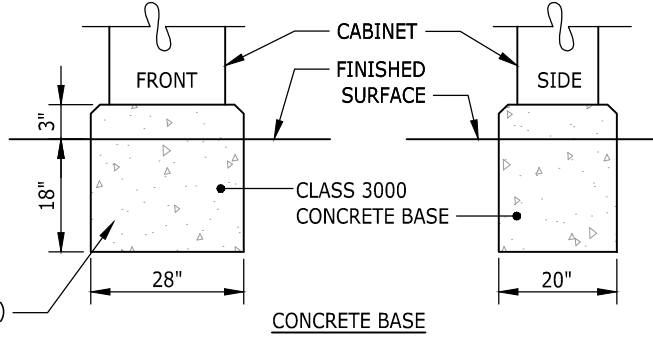
CONDUITS TO BE INSTALLED WITHIN THE CONCRETE PEDESTAL TO SERVE THE CABINETS (TYP)



SERVICE CABINET

SKYLINE CABINET SERIES 47700-KM-100 OR APPROVED EQUAL BY TESCOR.


METERING SECTION CLEARANCES & EQUIPMENT PER PSE AND EUSERC
 UL LISTED PER STANDARD #508
 SUITABLE FOR USE AS SERVICE ENTRANCE EQUIPMENT



CONCRETE BASE

NOTE: THIS PLAN IS NOT A LEGAL ENGINEERING DOCUMENT BUT AN ELECTRONIC DUPLICATE. THE ORIGINAL, SIGNED BY THE ENGINEER AND APPROVED FOR PUBLICATION IS KEPT ON FILE AT THE CITY OF KENT. A COPY MAY BE OBTAINED UPON REQUEST.



		CITY OF KENT ENGINEERING DEPARTMENT	
		SERVICE CABINET, CONCRETE BASE AND ONE LINE DIAGRAM	
DESIGNED <u>COK</u>	SCALE <u>NONE</u>	STANDARD PLAN	
DRAWN <u>COK</u>	DATE <u>12/2019</u>	6-96	
CHECKED <u>COK</u>	ENGINEER		
APPROVED			