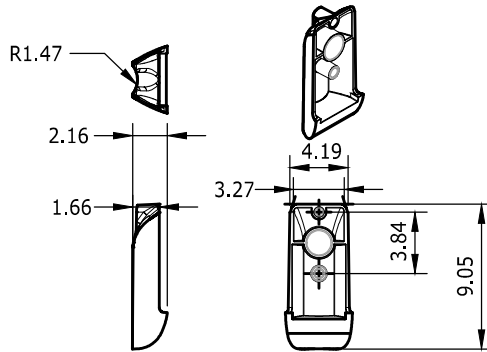
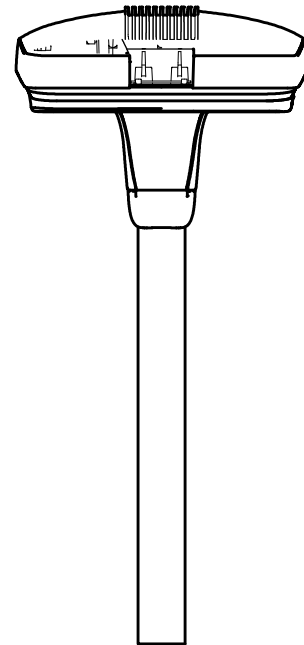


RPA (ROUND POLE ADAPTER)  
SEE DETAIL BELOW



ROUND POLE ADAPTER (TYP)


GARDCO GULLWING GI8

**NOTES:**

1. GARDCO GULLWING GI8 LIGHT FIXTURE USED IN THE CITY OF KENT DOWNTOWN OVERLAY DISTRICT. SEE STANDARD PLAN 6-8a FOR BOUNDARIES.
2. COBRA HEAD TYPE FIXTURES ARE REQUIRED ON SR 516 (WILLIS STREET) BETWEEN SR 167 AND CENTRAL AVENUE.

NOTE: THIS PLAN IS NOT A LEGAL ENGINEERING DOCUMENT BUT AN ELECTRONIC DUPLICATE. THE ORIGINAL, SIGNED BY THE ENGINEER AND APPROVED FOR PUBLICATION IS KEPT ON FILE AT THE CITY OF KENT. A COPY MAY BE OBTAINED UPON REQUEST.



	<b>CITY OF KENT</b> ENGINEERING DEPARTMENT	
	<b>DOWNTOWN OVERLAY DISTRICT GULLWING FIXTURE LIGHT STANDARD</b>	
DESIGNED <u>COK</u> DRAWN <u>COK</u> CHECKED <u>COK</u>	SCALE <u>NONE</u> DATE <u>12/2019</u>	STANDARD PLAN  <b>6-88</b>
APPROVED _____	ENGINEER	