

SIGN MATERIALS:

BLANK MATERIAL:

0.125' GAUGE ALUMINUM SIGN BLANK.

BACKGROUND:

WHITE, REFLECTIVE
3M DIAMOND GRADE
VIP DG3

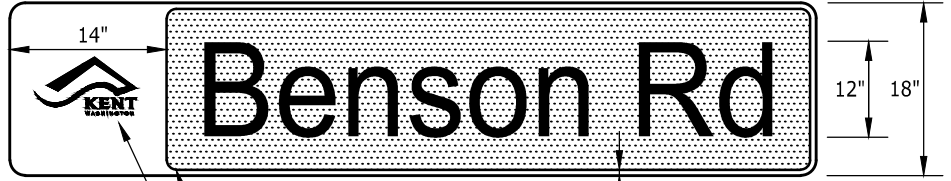
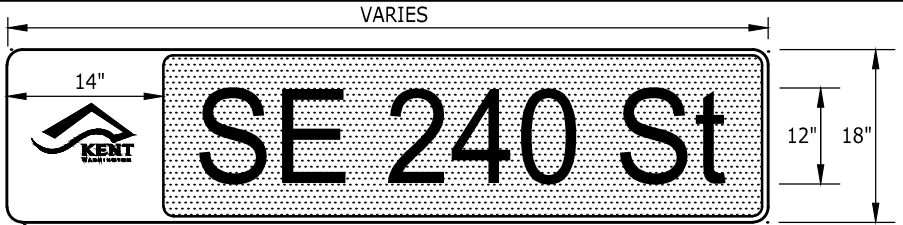
LEGEND:

GREEN 3M ELECTROCUT
FILM; REVERSE CUT
TO REVEAL WHITE LEGEND
SERIES C - NUMBERS AND LETTERS;
UPPER AND LOWER CASE;
UNLESS OTHERWISE NOTED ON PLANS

ABBREVIATIONS:

AVENUE = Ave
BOULEVARD = Blvd
CIRCLE = Cir
COURT = Ct
DRIVE = Dr
LANE = Ln
PARKWAY = Pkwy
PLACE = Pl
PRIVATE = Pvt
ROAD = Rd
STREET = St
WAY = Wy

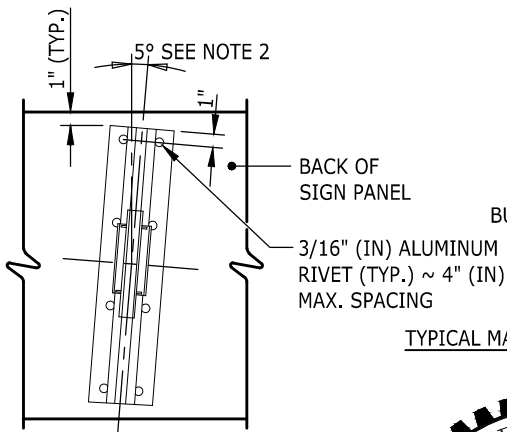
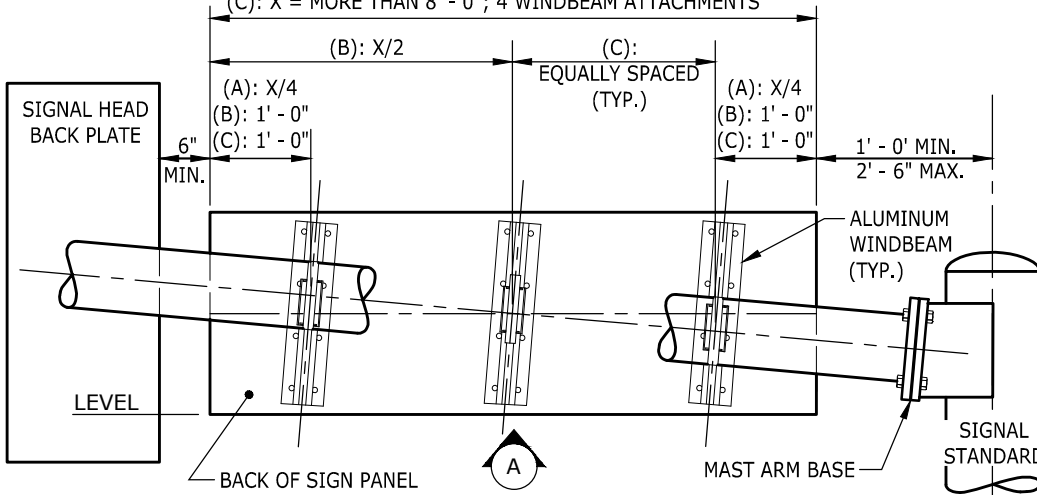
CITY OF KENT AND STATE ROUTE LOGO:
DIGITALLY PRINTED ON CLEAR AND APPLIED TO DG3.



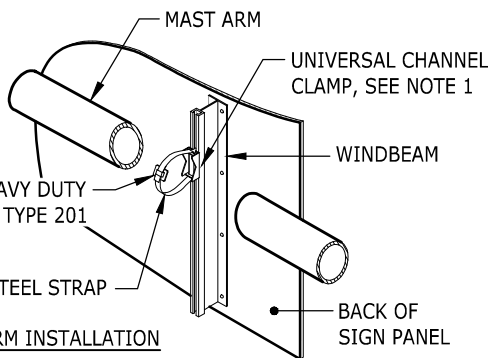
- (A): X = 4' - 0" OR LESS; 2 WINDBEAM ATTACHMENTS
- (B): X = MORE THAN 4' - 0" BUT NOT MORE THAN 8' - 0"; 3 WINDBEAM ATTACHMENTS
- (C): X = MORE THAN 8' - 0"; 4 WINDBEAM ATTACHMENTS

NOTES:

1. MOUNTING BRACKETS WITH STEEL STRAPS SHALL BE A STAINLESS STEEL BAND AND BUCKLE SYSTEM PRODUCT OR AN APPROVED EQUAL. MOUNTING BRACKETS SHALL BE UNIVERSAL CHANNEL CLAMPS; STEEL STRAPS SHALL BE 3/4" (IN) WIDE AND 0.030" (IN) THICK.
2. ALL SIGNS INSTALLED ON MAST ARMS OR STANDARDS (POLES) REQUIRE WINDBEAMS. ALL SIGNS SHALL BE INSTALLED WITH HORIZONTAL EDGES LEVEL. A SKEWED WINDBEAM IS REQUIRED ONLY WHEN THE SIGN IS MOUNTED WITHIN 12" (IN) OF THE MAST ARM BASE (SEE DETAIL "A").
3. THE STREET NAME SIGN SHALL BE A MAXIMUM OF 36 SQUARE FEET AND THE SIGN HEIGHT IS A MAXIMUM OF 3' (FT); SIGNS LARGER THAN 36 SQUARE FEET REQUIRE A SPECIAL DESIGN MAST ARM AND SIGNAL POLE.



TYPICAL MAST ARM INSTALLATION



NOTE: THIS PLAN IS NOT A LEGAL ENGINEERING DOCUMENT BUT AN ELECTRONIC DUPLICATE. THE ORIGINAL, SIGNED BY THE ENGINEER AND APPROVED FOR PUBLICATION IS KEPT ON FILE AT THE CITY OF KENT. A COPY MAY BE OBTAINED UPON REQUEST.



		CITY OF KENT ENGINEERING DEPARTMENT	
		MAST ARM MOUNTED STREET NAME SIGN	
DESIGNED: COK	SCALE: NONE	STANDARD PLAN	
DRAWN: COK	DATE: 6/2020	6-85	
CHECKED: COK	ENGINEER		
APPROVED:			