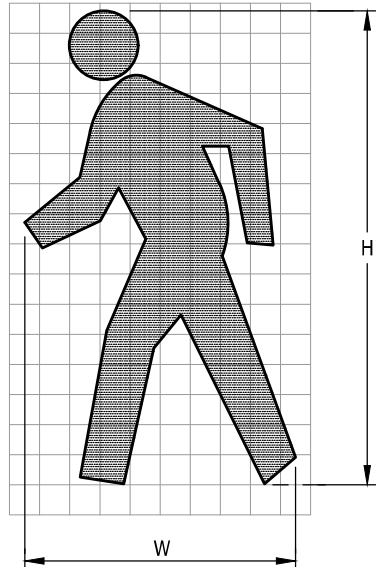
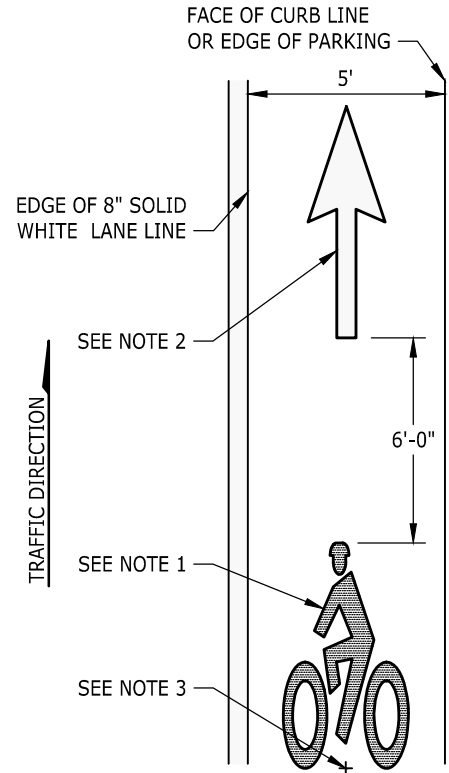


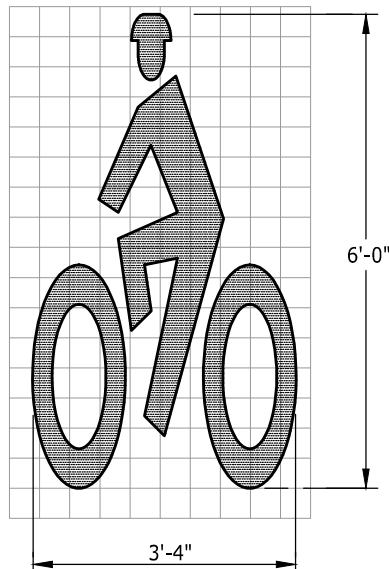
SPEED	H	W
30MPH OR LESS	4'-0"	2'-1"
35MPH OR GREATER	6'-0"	3'-2"



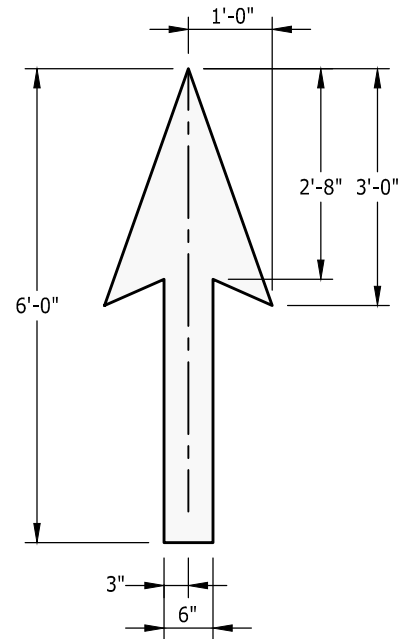
PEDESTRIAN SYMBOL DETAIL



BIKE LANE LAYOUT



BIKE RIDER SYMBOL DETAIL



ARROW DETAIL

NOTES:

1. PER BIKE RIDER SYMBOL DETAIL.
2. PER ARROW DETAIL ON THIS PLAN.
3. BIKE PAVEMENT MARKINGS SHALL BE PLACED IMMEDIATELY AFTER EVERY INTERSECTION AND AT PERIODIC INTERVALS WITH A MAXIMUM SPACING OF 600 FEET, CENTERED IN LANE.
4. SEE ROADWAY CROSS SECTION STANDARD PLANS 6-2 TO 6-13.
5. ALL MARKINGS SHALL BE WHITE PLASTIC MATERIAL AS SPECIFIED IN ACCORDANCE WITH WSDOT STANDARD SPECIFICATION 9-34, TYPE D (MMA). CORUNDUM SHALL ALSO BE ADDED.
6. SIGNING SHALL BE PER THE MUTCD.
7. SEE SECTION 6.12.B FOR PLASTIC MATERIAL SPECIFICATIONS.



NOTE: THIS PLAN IS NOT A LEGAL ENGINEERING DOCUMENT BUT AN ELECTRONIC DUPLICATE. THE ORIGINAL, SIGNED BY THE ENGINEER AND APPROVED FOR PUBLICATION IS KEPT ON FILE AT THE CITY OF KENT. A COPY MAY BE OBTAINED UPON REQUEST.

	CITY OF KENT ENGINEERING DEPARTMENT	
	TYPICAL PAVEMENT MARKINGS	
DESIGNED: COK	SCALE: NONE	STANDARD PLAN
DRAWN: COK	DATE: 9/2020	6-79
CHECKED: COK	ENGINEER	
APPROVED:		