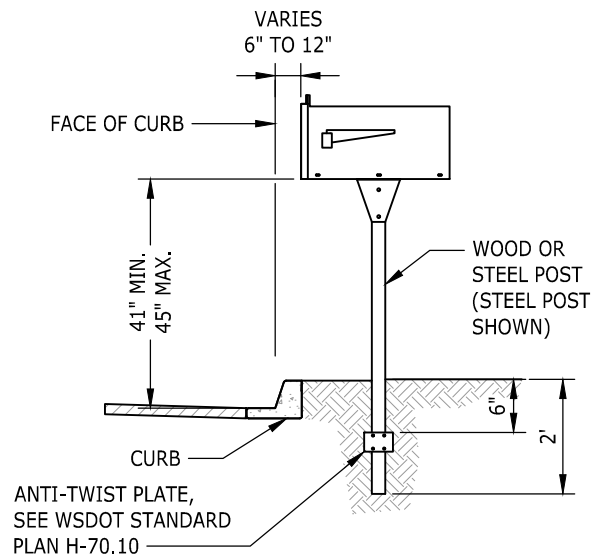
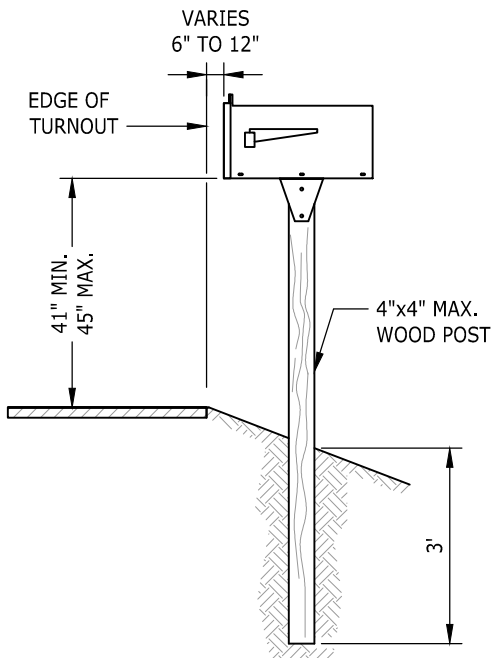


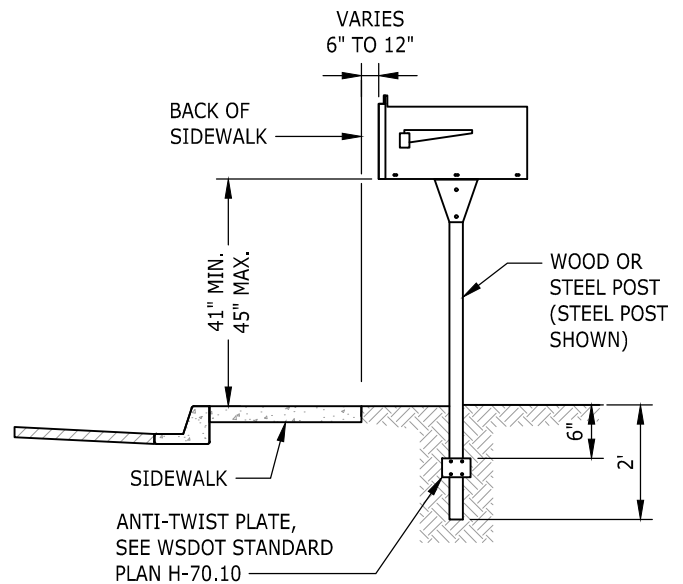
TYPE 1 (STEEL POST OPTION)



TYPE 1 INSTALLED BEHIND CURB



TYPE 1 (WOOD POST OPTION)



TYPE 1 INSTALLED BEHIND SIDEWALK

NOTE:

1. ALL LOCATIONS TO BE COORDINATED WITH AND APPROVED BY THE US POSTAL SERVICE POSTMASTER.
2. SEE WSDOT STANDARD PLANS H-70.10 AND H-70.20 FOR DETAILS.
3. SEE KENT CONSTRUCTION STANDARDS 6.11.A.
4. ALL MAILBOX INSTALLATIONS SHALL MEET CURRENT ADA STANDARDS.



NOTE: THIS PLAN IS NOT A LEGAL ENGINEERING DOCUMENT BUT AN ELECTRONIC DUPLICATE. THE ORIGINAL, SIGNED BY THE ENGINEER AND APPROVED FOR PUBLICATION IS KEPT ON FILE AT THE CITY OF KENT. A COPY MAY BE OBTAINED UPON REQUEST.

	CITY OF KENT ENGINEERING DEPARTMENT	
	MAILBOX INSTALLATION TYPE 1 SHEET 1 OF 3	
DESIGNED: COK	SCALE: NONE	STANDARD PLAN
DRAWN: COK	DATE: 9/2020	6-70a
CHECKED: COK	ENGINEER	
APPROVED:		