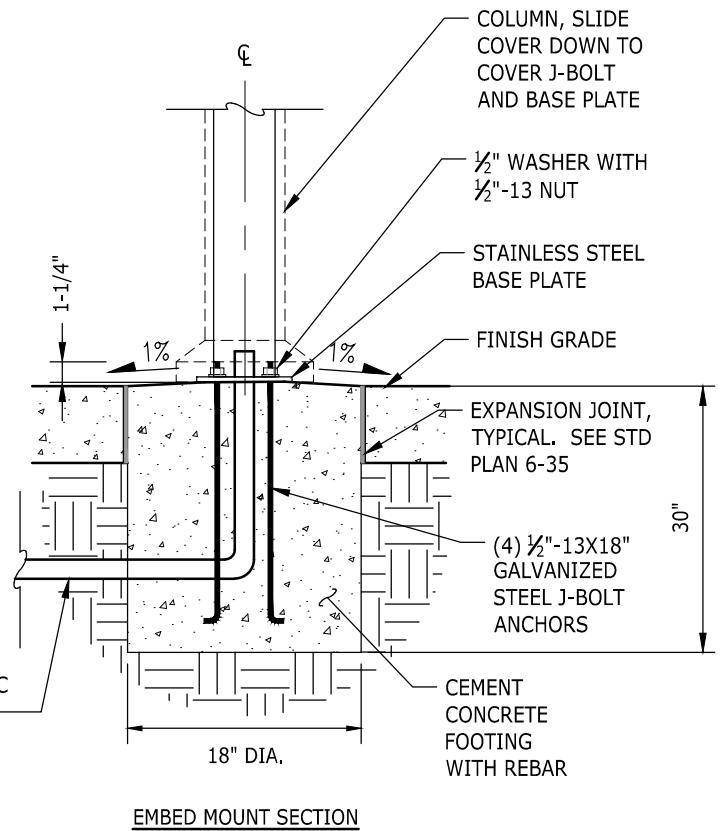
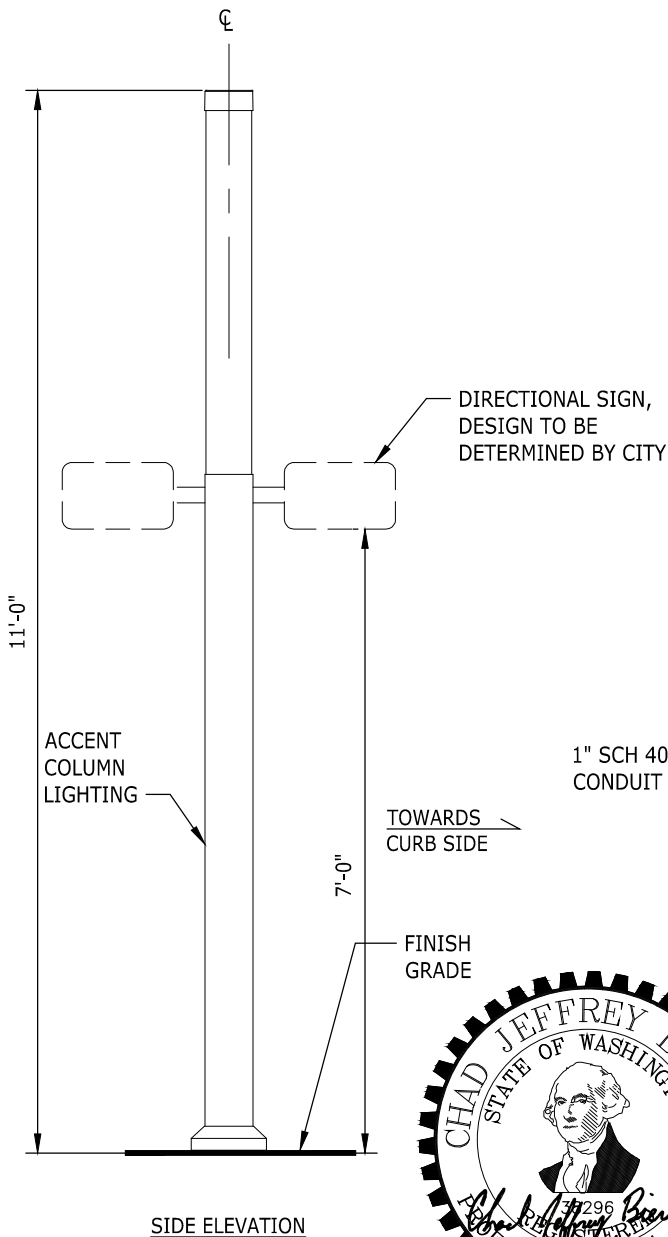
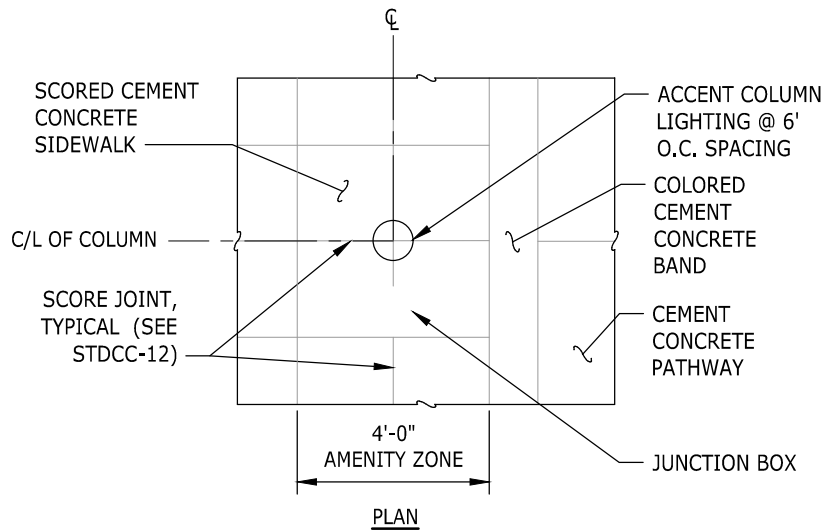
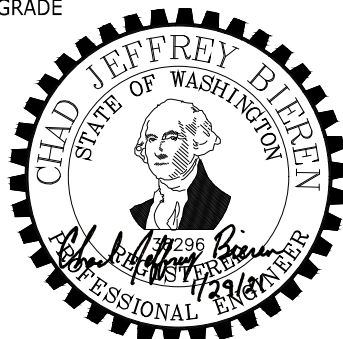


**NOTES:**

1. ACCENT COLUMN LIGHTING SHALL BE ILLUMINATED "LIGHT COLUMN SERIES 600" MODEL LPLCO-612 WITH 180° OR 360° PERFORATED SHIELD, UL, C-UL, ETL AND C-ETL LISTED, BY FORMS+SURFACES, OR APPROVED EQUAL.
2. LED SHALL BE 32W CUSTOM LED LIGHT ENGINE IN 3000K.
3. FINISH SHALL BE RAL 9007 "GREY ALUMINUM" METALLIC POWDER COATING WITH ANTI-GRAFFITI PROPERTIES.
4. MANUFACTURER EMBED MOUNT SHALL BE PLUMB AND INSTALLED PER MANUFACTURER INSTRUCTIONS.



NOTE: THIS PLAN IS NOT A LEGAL ENGINEERING DOCUMENT BUT AN ELECTRONIC DUPLICATE. THE ORIGINAL, SIGNED BY THE ENGINEER AND APPROVED FOR PUBLICATION IS KEPT ON FILE AT THE CITY OF KENT. A COPY MAY BE OBTAINED UPON REQUEST.



		<b>CITY OF KENT</b> ENGINEERING DEPARTMENT	
		<b>MEEKER STREET</b> ACCENT COLUMN LIGHTING	
DESIGNED: COK	SCALE: NONE	STANDARD PLAN	
DRAWN: COK	DATE: 8/2020	<b>7-27</b>	
CHECKED: COK	ENGINEER		
APPROVED:			