

**NOTES:**

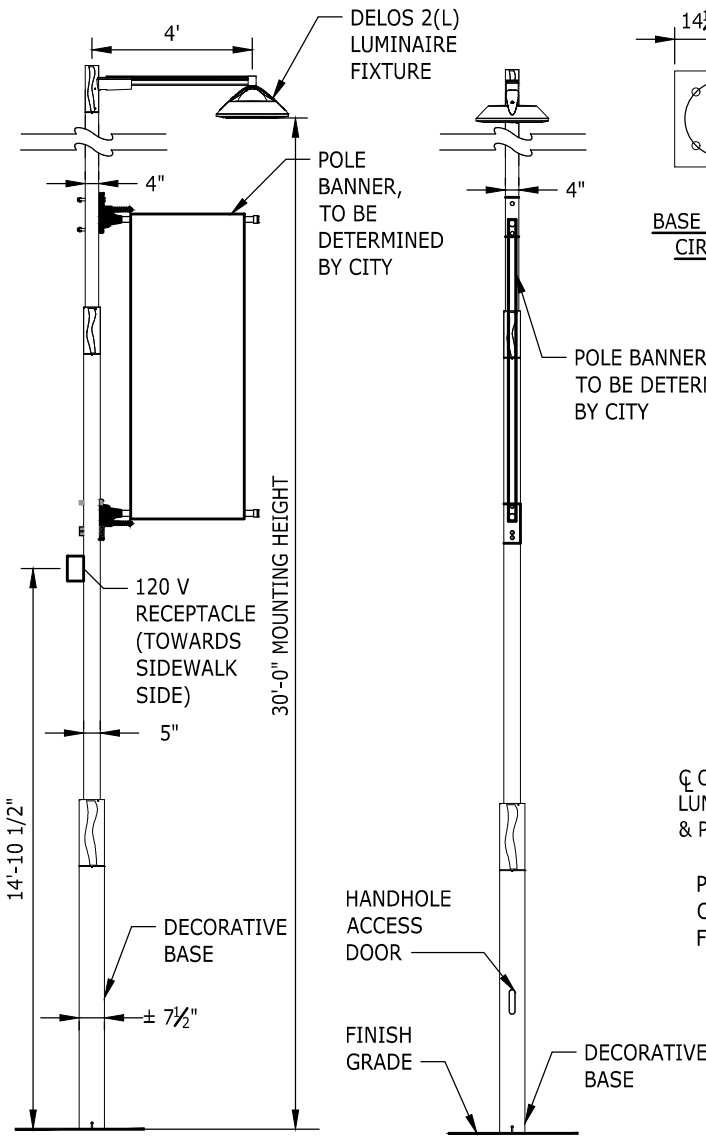
1. ORIENTATION LOCATIONS:
  - \* HANDHOLE ACCESS DOOR SHALL BE MOUNTED AT 180°
  - \* RECEPTACLE SHALL BE MOUNTED AT 180°
  - \* BANNER ARMS SHALL BE MOUNTED AT 0°
2. NEW AND EXISTING UTILITIES MUST BE SHOWN ON DEVELOPMENT PLANS WITH APPROPRIATE CLEARANCES. ANY FIELD ADJUSTMENTS MUST BE APPROVED BY CITY.
3. JUNCTION BOX LAYOUT, FOUNDATION SIZE AND REINFORCEMENT SHALL BE PER CITY OF KENT STANDARD PLAN 6-89.
4. IRRIGATION DETAILS AT POLE BASE SHALL BE PER CITY OF KENT STANDARD PLAN 7-30 & 7-31.

**LUMINAIRE:**

1. LUMINAIRE MANUFACTURER: AEC ILLUMINATION CORP - DELOS 2
2. ALUMINUM HOUSING WITH QUICK INSTALLATION SYSTEM (QIS)
3. LED, 3000K CCT, 525mA MAX DRIVE CURRENT, FLAT LENS

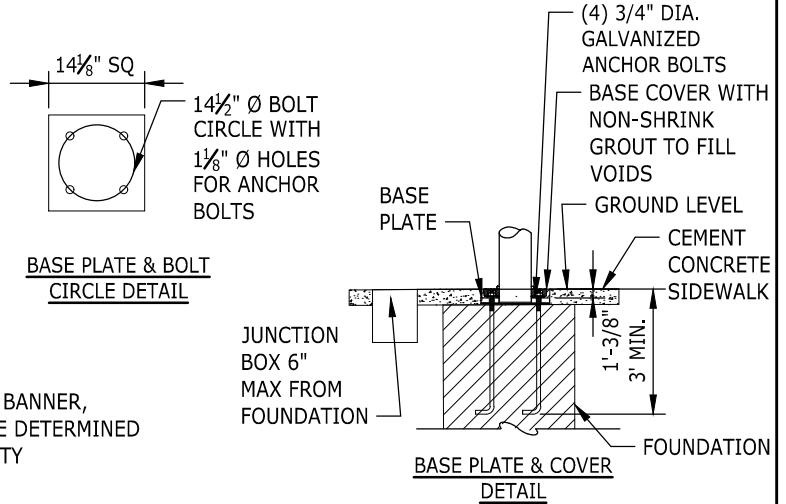
**STREET LIGHTING:**

1. LUMINAIRE ARM, BASE, AND POLE SHALL BE POLYESTER POWDER COAT SYSTEM BY TIGER DRYLAC, WITH ANTI-GRAFFITI PROPERTIES, RAL COLOR 7021 (SATIN FINISH), OR APPROVED EQUAL.
2. POLES SHALL BE HOT DIPPED GALVANIZED.
3. BANNER ARMS ATTACHMENT SYSTEM PER MANUFACTURE.



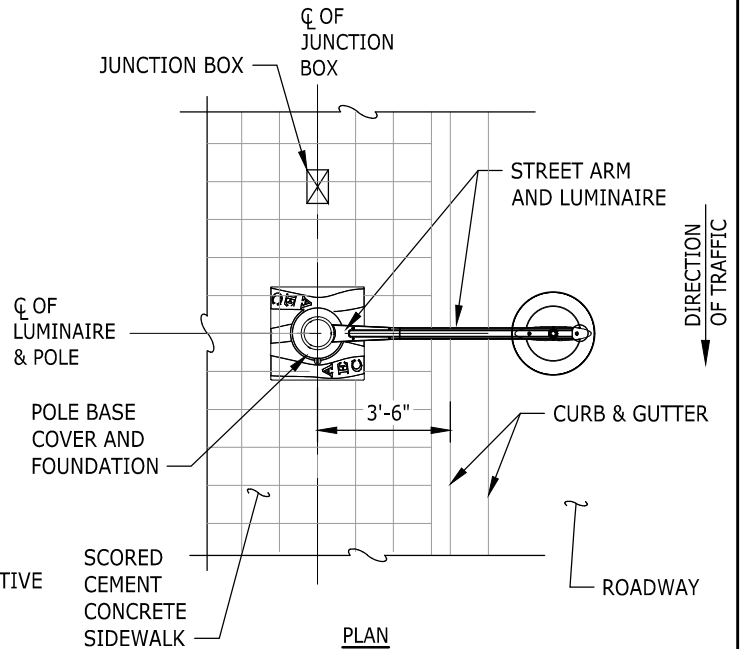
**SIDE ELEVATION VIEW**

**FRONT ELEVATION VIEW**

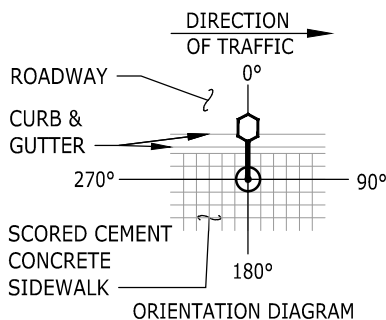


**BASE PLATE & BOLT CIRCLE DETAIL**


**BASE PLATE & COVER DETAIL**



**PLAN**



NOTE: THIS PLAN IS NOT A LEGAL ENGINEERING DOCUMENT BUT AN ELECTRONIC DUPLICATE. THE ORIGINAL, SIGNED BY THE ENGINEER AND APPROVED FOR PUBLICATION IS KEPT ON FILE AT THE CITY OF KENT. A COPY MAY BE OBTAINED UPON REQUEST.

		<b>CITY OF KENT</b> ENGINEERING DEPARTMENT	
		<b>MEEKER STREET STREET LUMINAIRE AND POLE</b>	
DESIGNED: COK	SCALE: NONE	STANDARD PLAN	
DRAWN: COK	DATE: 8/2020	<b>7-25</b>	
CHECKED: COK	ENGINEER		
APPROVED:			