

NOTES:

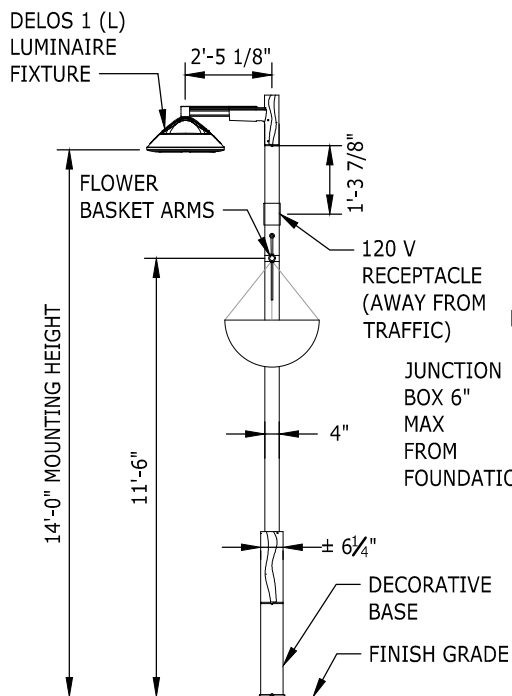
- ORIENTATION LOCATIONS:
 - * HANDHOLE ACCESS DOOR SHALL BE MOUNTED AT 180°
 - * RECEPTACLE SHALL BE MOUNTED AT 90°
 - * CARFLEX CONDUIT, AND IRRIGATION HOLE SHALL BE MOUNTED AT 90° AND 270° AND APPLY TO STREETSCAPES EAST OF SR-167.
- NEW AND EXISTING UTILITIES MUST BE SHOWN ON DEVELOPMENT PLANS WITH APPROPRIATE CLEARANCES. ANY FIELD ADJUSTMENTS MUST BE APPROVED BY CITY.
- JUNCTION BOX LAYOUT, FOUNDATION SIZE AND REINFORCEMENT SHALL BE PER CITY OF KENT STANDARD PLAN 6-89.
- IRRIGATION DETAILS AT POLE BASE SHALL BE PER CITY OF KENT STANDARD PLAN 7-30 & 7-31.

LUMINAIRE:

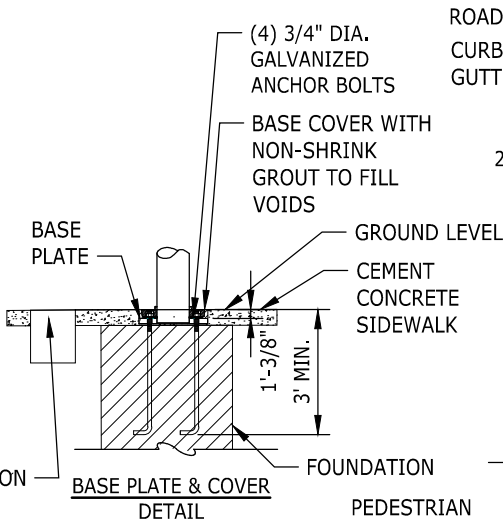
- LUMINAIRE MANUFACTURER: AEC ILLUMINATION CORP - DELOS 1 LED STU-M 3.5-2M
- ALUMINUM HOUSING WITH QUICK INSTALLATION SYSTEM (QIS)
- LED, 3000K CCT, 525mA MAX DRIVE CURRENT, FLAT LENS

PEDESTRIAN LIGHTING:

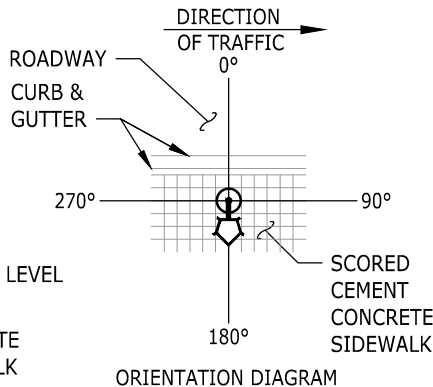
- LUMINAIRE ARM, BASE, AND POLE SHALL BE POLYESTER POWDER COAT SYSTEM BY TIGER DRYLAC, WITH ANTI-GRAFFITI PROPERTIES, RAL COLOR 7021 (SATIN FINISH), OR APPROVED EQUAL.
- POLES SHALL BE HOT DIPPED GALVANIZED.
- FLOWER BASKET ATTACHMENTS SYSTEM AND ARMS PER FBA20-D-C PER MANUFACTURER, SHALL APPLY TO STREETSCAPES EAST OF SR-167.



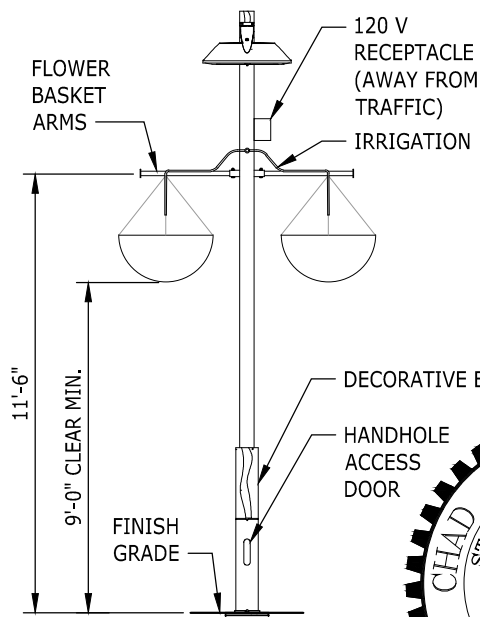
SIDE PATHWAY ELEVATION VIEW



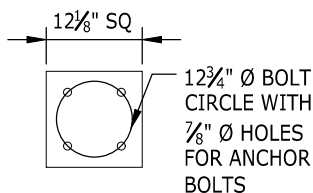
BASE PLATE & COVER DETAIL



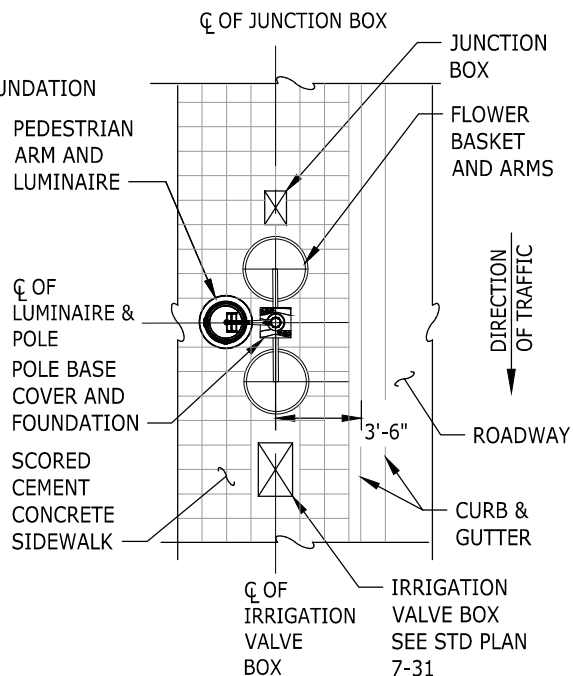
ORIENTATION DIAGRAM



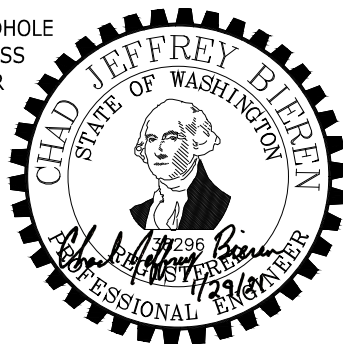
SIDEWALK ELEVATION VIEW



BASE PLATE & BOLT CIRCLE DETAIL



PLAN



NOTE: THIS PLAN IS NOT A LEGAL ENGINEERING DOCUMENT BUT AN ELECTRONIC DUPLICATE. THE ORIGINAL, SIGNED BY THE ENGINEER AND APPROVED FOR PUBLICATION IS KEPT ON FILE AT THE CITY OF KENT. A COPY MAY BE OBTAINED UPON REQUEST.

		CITY OF KENT ENGINEERING DEPARTMENT	
		MEEKER STREET SINGLE ARM PEDESTRIAN LUMINAIRE AND POLE	
DESIGNED: COK	SCALE: NONE	STANDARD PLAN	
DRAWN: COK	DATE: 8/2020	7-23	
CHECKED: COK	ENGINEER		
APPROVED:			