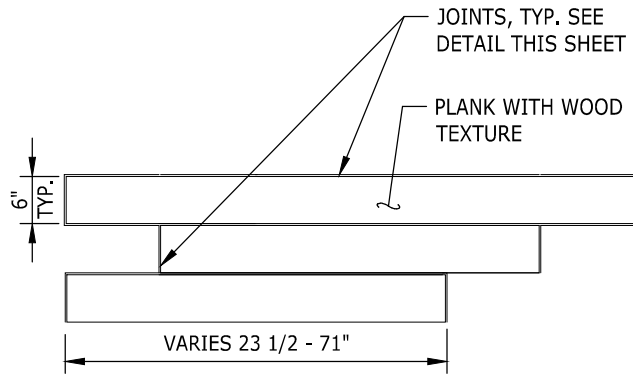
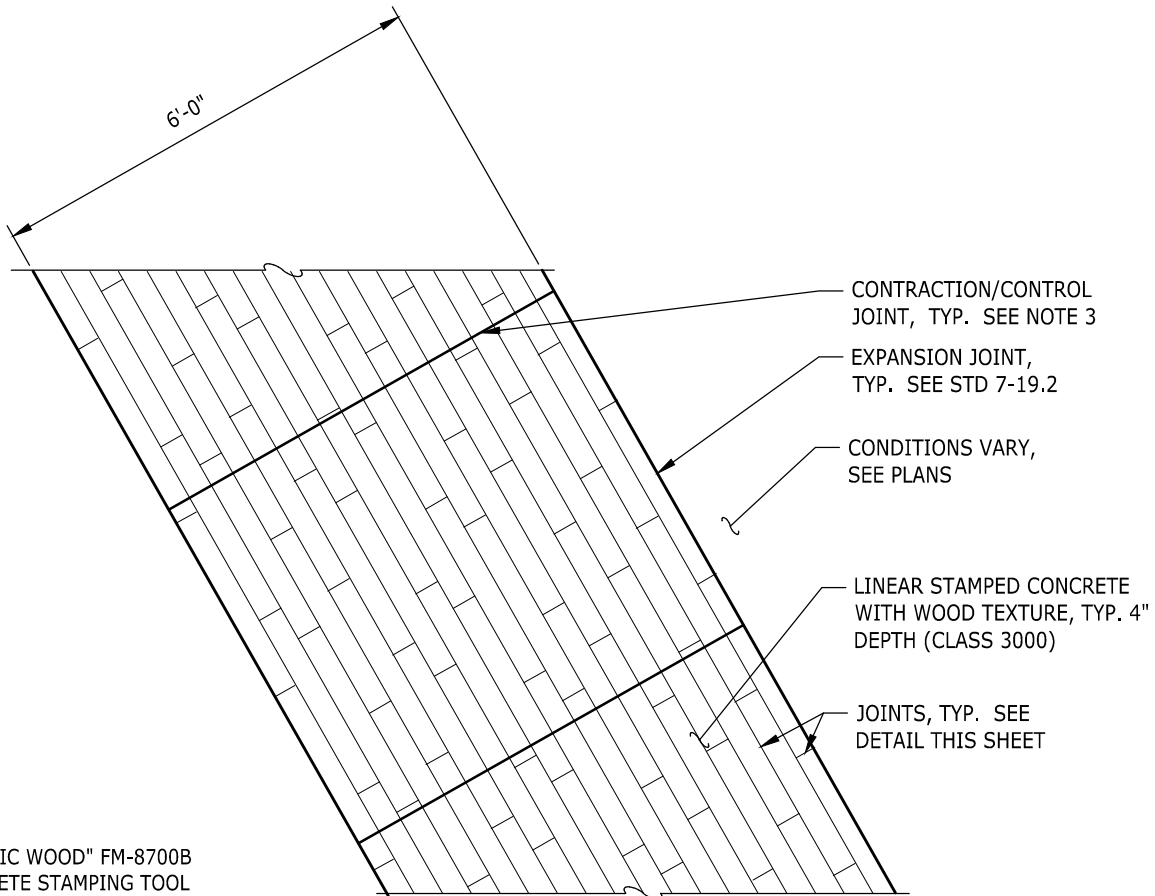


JOINT SECTION



STAMP IMPRINT DETAIL



LAYOUT PLAN

NOTES:

1. "CLASSIC WOOD" FM-8700B CONCRETE STAMPING TOOL SHALL BE PROVIDED BY STONEWAY CONSTRUCTION SUPPLY, OR APPROVED EQUAL.
2. STAMPED CEMENT CONCRETE PAVEMENT PATTERN AND COLOR SHALL BE APPROVED BY CITY PRIOR TO INSTALLATION.
3. CONTRACTION/CONTROL JOINTS SHALL BE 6 FEET APART. SEE STD PLANS 6-35 AND 7-19.2.
4. INTEGRAL COLOR FOR LINEAR STAMPED CONCRETE SHALL BE "SLATE" BY SOLOMON.



NOTE: THIS PLAN IS NOT A LEGAL ENGINEERING DOCUMENT BUT AN ELECTRONIC DUPLICATE. THE ORIGINAL, SIGNED BY THE ENGINEER AND APPROVED FOR PUBLICATION IS KEPT ON FILE AT THE CITY OF KENT. A COPY MAY BE OBTAINED UPON REQUEST.

| | | | |
|---------------|--------------|---|--|
| | | CITY OF KENT ENGINEERING DEPARTMENT | |
| | | MEEKER STREET LINEAR STAMPED CONCRETE DETAIL | |
| DESIGNED: COK | SCALE: NONE | STANDARD PLAN | |
| DRAWN: COK | DATE: 8/2020 | 7-19.3 | |
| CHECKED: COK | ENGINEER | | |
| APPROVED: | | | |