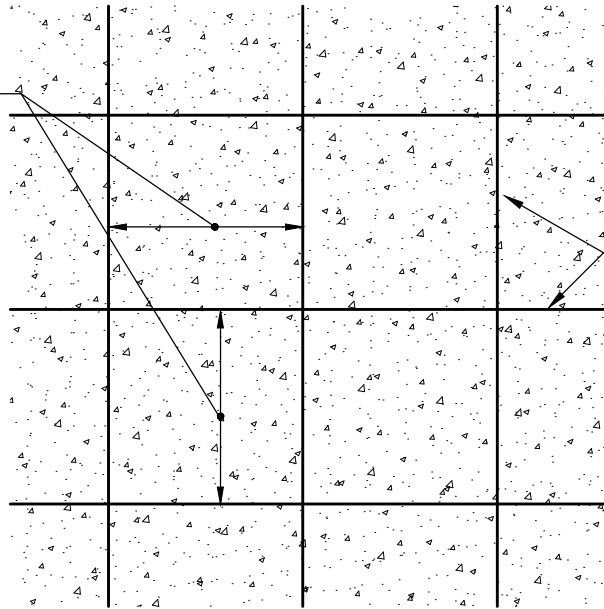


**NOTES:**

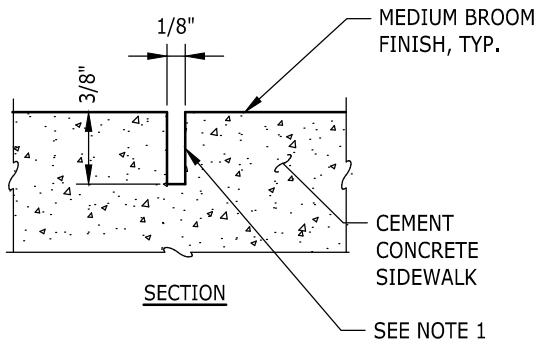
1. SCORE JOINT SHALL BE SAWCUT, NO RADIUS ON EDGES AND NO SMOOTH FLANGE TOOLING ON EITHER SIDE OF JOINT.
2. FOR EXPANSION AND CONTRACTION/CONTROL JOINT DETAILS REFER TO STD PLANS 6-35 AND 7-19.2.
3. MEDIUM BROOM FINISH SHALL BE PERPENDICULAR TO BACK OF CURB.

VARIES, SEE SIDEWALK LAYOUT STD PLANS 7-13 OR 7-14

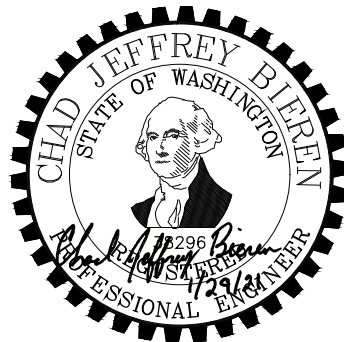


SCORE JOINT, TYP. SHALL BE PERPENDICULAR FROM EACH JOINT


**LAYOUT PLAN**



**SECTION**



NOTE: THIS PLAN IS NOT A LEGAL ENGINEERING DOCUMENT BUT AN ELECTRONIC DUPLICATE. THE ORIGINAL, SIGNED BY THE ENGINEER AND APPROVED FOR PUBLICATION IS KEPT ON FILE AT THE CITY OF KENT. A COPY MAY BE OBTAINED UPON REQUEST.

		<b>CITY OF KENT</b> ENGINEERING DEPARTMENT	
		<b>MEEKER STREET</b> <b>SCORE JOINT DETAIL</b>	
DESIGNED	COK	SCALE	NONE
DRAWN	COK	DATE	8/2020
CHECKED	COK	ENGINEER	
APPROVED		<b>7-19</b>	