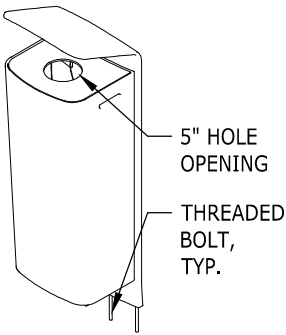
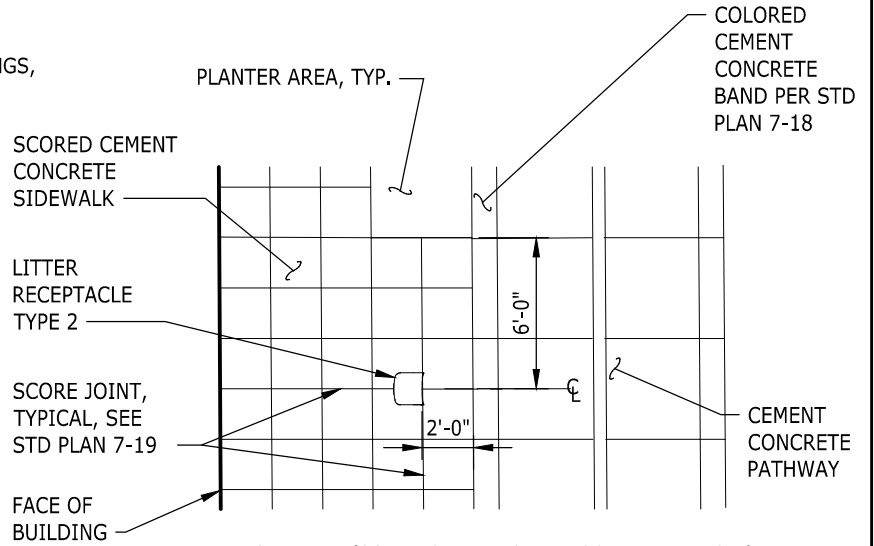


NOTES:

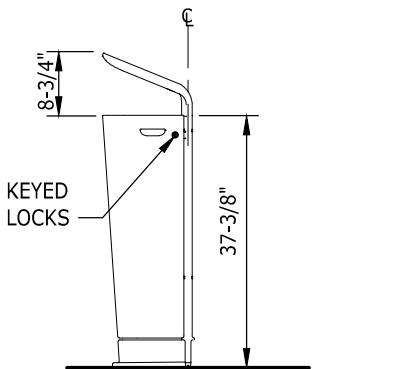
1. LITTER RECEPTACLE TYPE 2 SHALL BE "MULTIPLICITY", (1) 18 GALLON LINER MANUFACTURED BY LANDSCAPE FORMS, OR APPROVED EQUAL.
2. COLOR SHALL BE MANUFACTURER POLYESTER POWDERCOAT WITH "TITANIUM" COLOR.
3. LITTER RECEPTACLE TYPE 2 SHALL BE SURFACE MOUNT INSTALLATION, LEVEL AND PLUMB, INSTALLED PER MANUFACTURER INSTRUCTIONS.
4. APPLIES TO BUFFER ZONES AT STREETScape TYPE C.
5. APPLIES TO BUFFER AND AMENITY ZONES AT STREETScape TYPES A AND B.
6. APPLIES TO BUFFER ZONES NEAR SIGNIFICANT INTERSECTIONS, MINOR INTERSECTIONS/CROSSINGS, AND MID-BLOCK CROSSINGS.



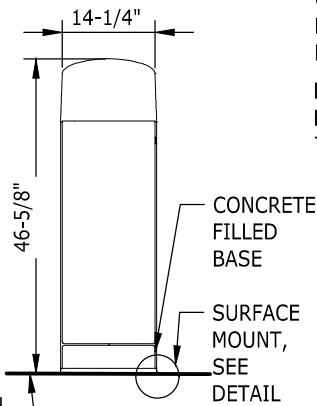
AXONOMETRIC



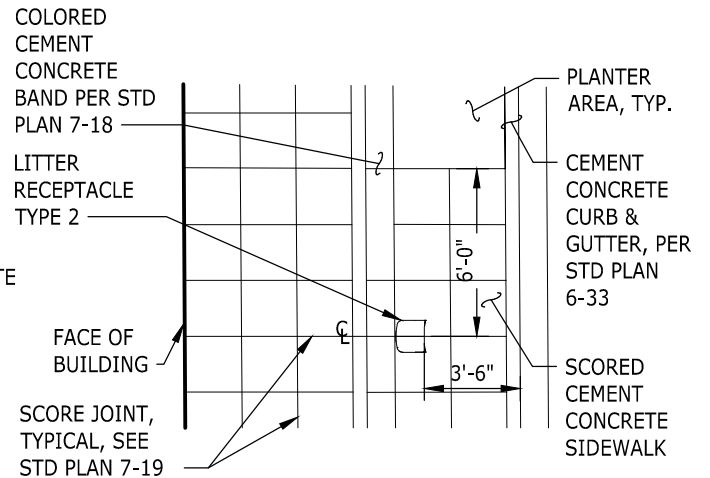
LAYOUT PLAN (SOUTH SIDE AT STREETScape TYPE A & B)



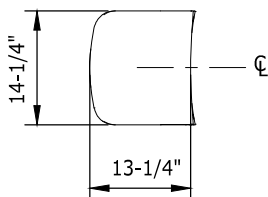
ELEVATION



SECTION



LAYOUT PLAN (NORTH SIDE & STREETScape TYPE C)



PLAN



NOTE: THIS PLAN IS NOT A LEGAL ENGINEERING DOCUMENT BUT AN ELECTRONIC DUPLICATE. THE ORIGINAL, SIGNED BY THE ENGINEER AND APPROVED FOR PUBLICATION IS KEPT ON FILE AT THE CITY OF KENT. A COPY MAY BE OBTAINED UPON REQUEST.

		CITY OF KENT ENGINEERING DEPARTMENT	
		MEEKER ST LITTER RECEPTACLE TYPE 2	
DESIGNED: COK	SCALE: NONE	STANDARD PLAN	
DRAWN: COK	DATE: 8/2020	7-7	
CHECKED: COK	ENGINEER		
APPROVED:			