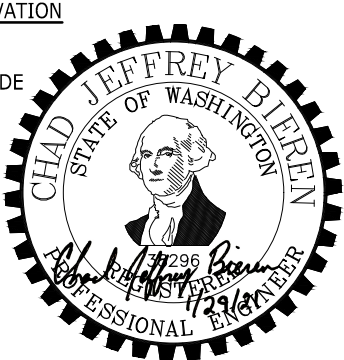
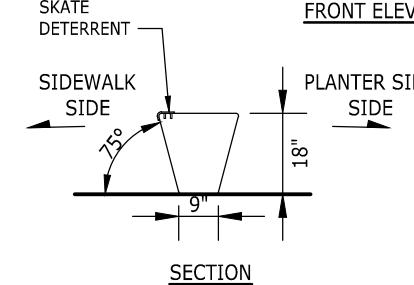
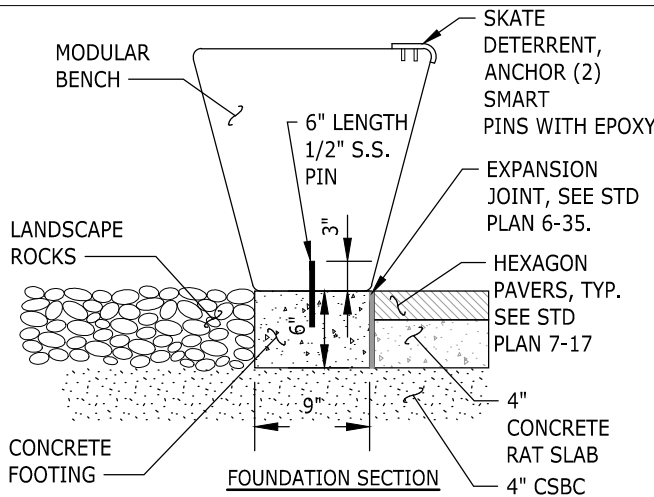
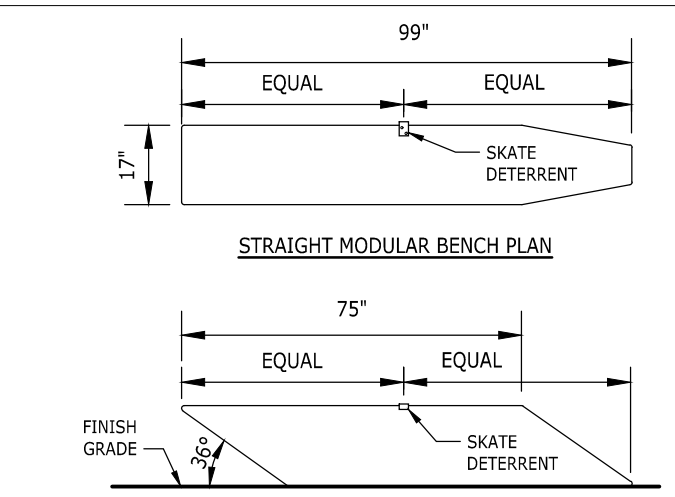
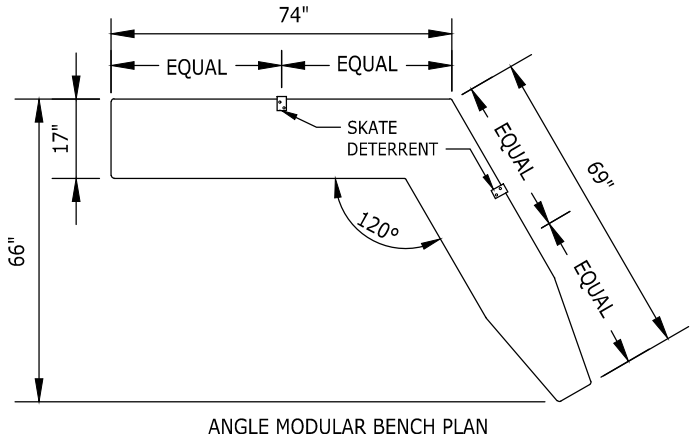
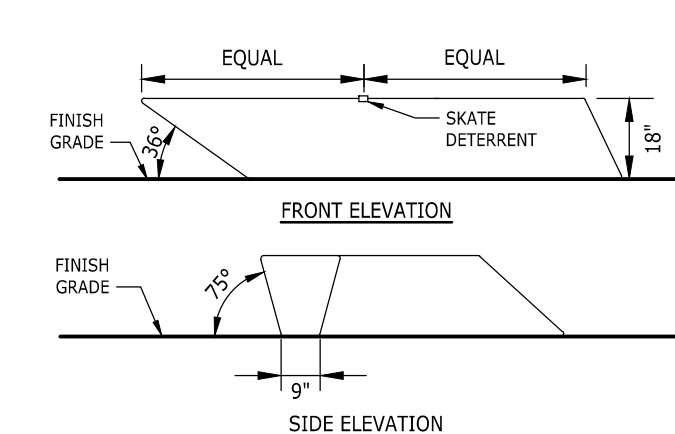


- NOTES:**
1. MODULAR BENCH SHALL BE "ESCOFET MILENIO" BY LANDSCAPE FORMS, OR APPROVED EQUIVALENT.
 2. MODULAR BENCH SHALL BE REINFORCED 'STANDARD GRAY' CAST STONE WITH WATERPROOF FINISH.
 3. MODULAR BENCH SHALL BE INSTALLED FREESTANDING, LEVEL AND PLUMB.
 4. SKATE DETERRENT SHALL BE FRO.5 BY BARRETT ROBINSON IN 6061-T6 ALUMINUM, OR APPROVED EQUAL.
 5. LANDSCAPE ROCKS SHALL BE 1 TO 2 INCH ROUND SMOOTH STONES IN MEDIUM GRAY TO DARK GREY COLOR.
 6. TOP OF BENCH FOUNDATION TO MATCH CROSS AND LONGITUDINAL SLOPE OF HEXAGON PAVERS.
 7. APPLIES TO BUFFER ZONES NEAR SIGNIFICANT INTERSECTIONS, MINOR INTERSECTIONS/CROSSINGS, AND MID-BLOCK CROSSINGS.



NOTE: THIS PLAN IS NOT A LEGAL ENGINEERING DOCUMENT BUT AN ELECTRONIC DUPLICATE. THE ORIGINAL, SIGNED BY THE ENGINEER AND APPROVED FOR PUBLICATION IS KEPT ON FILE AT THE CITY OF KENT. A COPY MAY BE OBTAINED UPON REQUEST.

		CITY OF KENT ENGINEERING DEPARTMENT	
		MEEKER STREET MODULAR BENCH	
DESIGNED: COK	SCALE: NONE	STANDARD PLAN	
DRAWN: COK	DATE: 8/2020	7-3	
CHECKED: COK	ENGINEER		
APPROVED:			