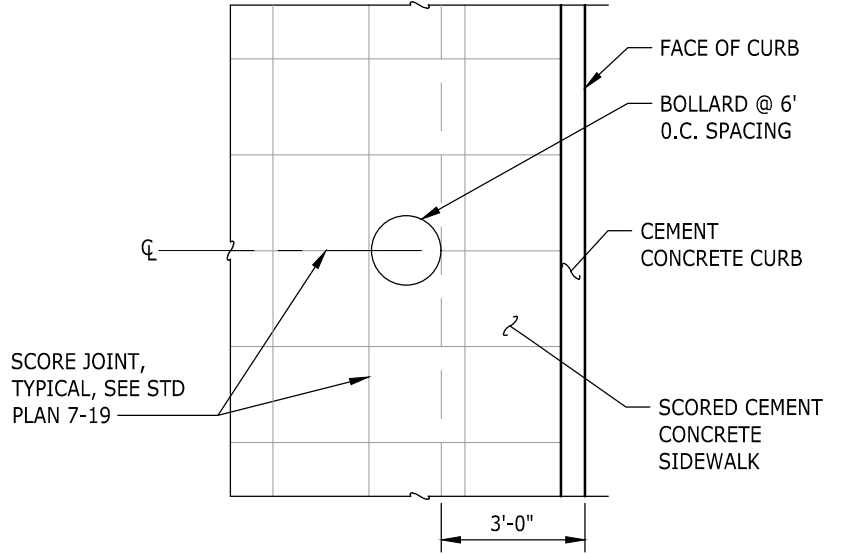
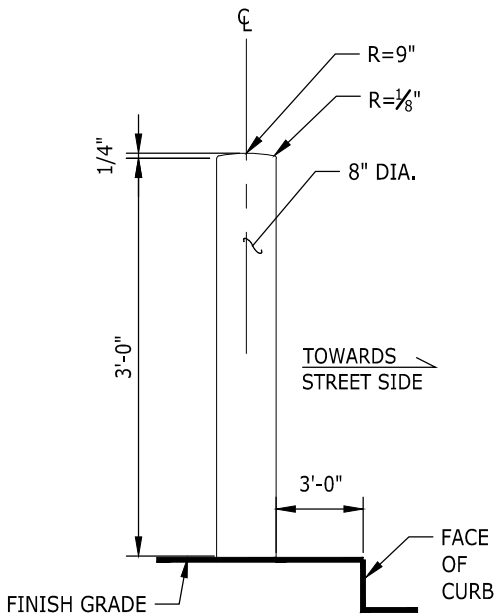


**NOTES:**

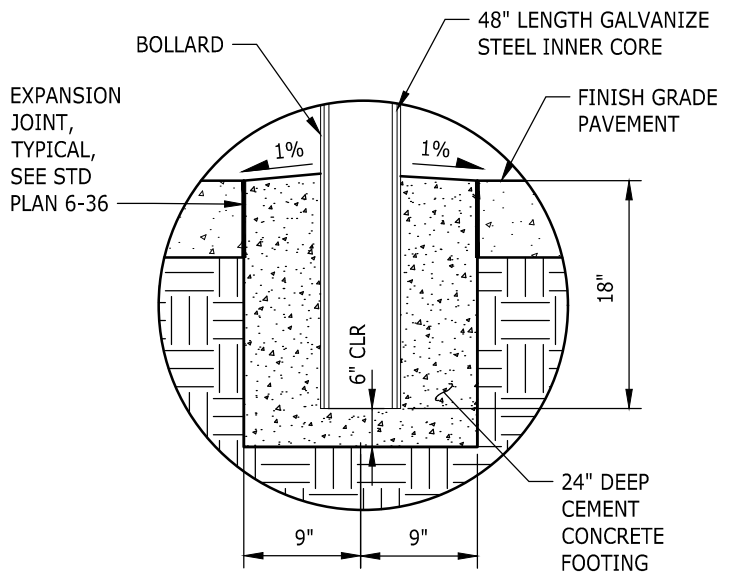
1. HEAVY DUTY METAL BOLLARD SHALL BE B-2 CUSTOM SEMI DOME TOP, SCHEDULE 40, STAINLESS STEEL TYPE 316, BY FAIRWEATHER SITE FURNISHINGS, OR APPROVED EQUAL.
2. FINISH SHALL BE IN BRUSH SATIN WITH CLEAR ANTI-GRAFFITTI COATING.
3. MANUFACTURER EMBED MOUNT SHALL BE PLUMB AND INSTALLED PER MANUFACTURER INSTRUCTIONS.
4. APPLIES TO MINOR INTESECTIONS AT STREETScape TYPE A, B AND C.



PLAN




SIDE ELEVATION



EMBED MOUNT SECTION



NOTE: THIS PLAN IS NOT A LEGAL ENGINEERING DOCUMENT BUT AN ELECTRONIC DUPLICATE. THE ORIGINAL, SIGNED BY THE ENGINEER AND APPROVED FOR PUBLICATION IS KEPT ON FILE AT THE CITY OF KENT. A COPY MAY BE OBTAINED UPON REQUEST.

	<b>CITY OF KENT</b> ENGINEERING DEPARTMENT	
	<b>MEEKER STREET</b> <b>HEAVY DUTY</b> <b>METAL BOLLARD</b>	
DESIGNED: COK	SCALE: NONE	STANDARD PLAN
DRAWN: COK	DATE: 8/2020	<b>7-10</b>
CHECKED: COK	ENGINEER	
APPROVED:		