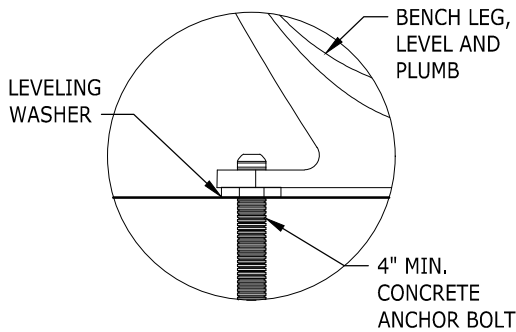
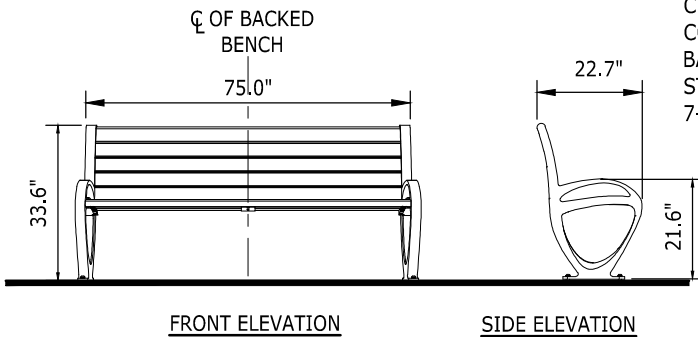
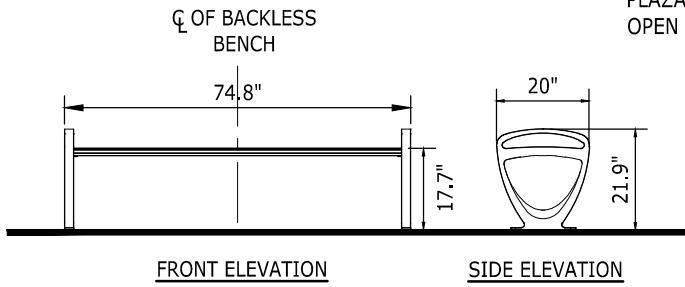
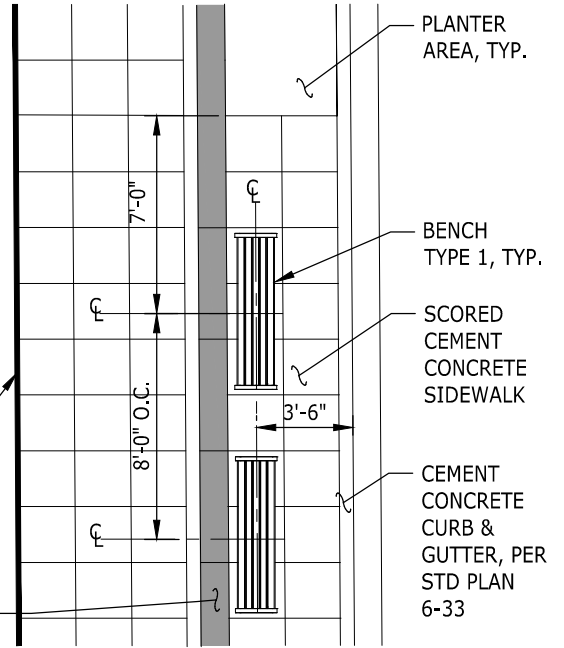


NOTES:

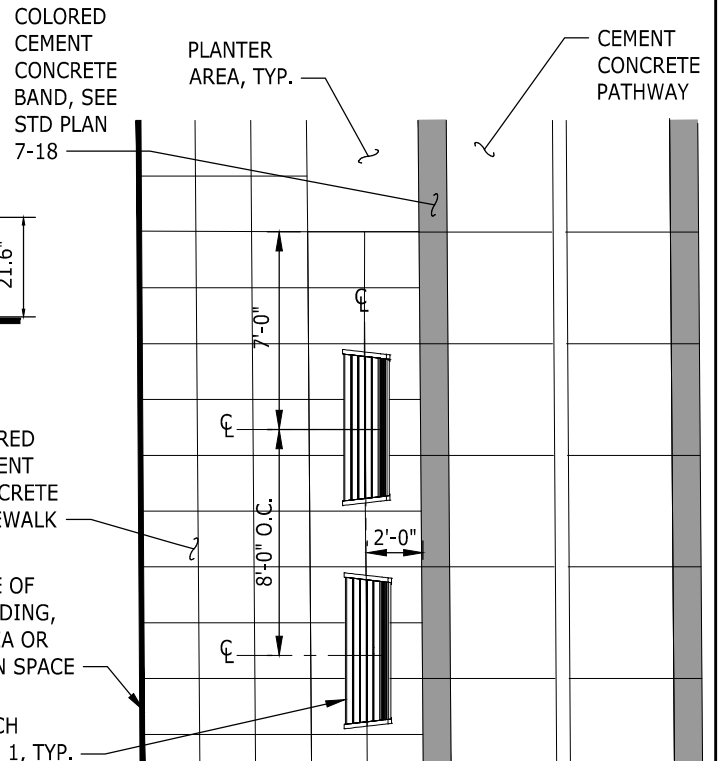
1. BENCH TYPE 1 SHALL BE BACKLESS AND BACKED "TRIO" BY FORMS+SURFACES, OR APPROVED EQUAL.
2. BENCH TYPE 1 SHALL BE "ALUMINUM TEXTURE" SEAT & FRAME IN RAL 9007 "GREY ALUMINUM" METALLIC POWDER COAT FINISH.
3. BENCH TYPE 1 SHALL BE INSTALLED SURFACE MOUNT, LEVEL AND PLUMB.
4. BACKS OF BACKED BENCH TYPE 1 SHOULD BE INSTALLED TOWARDS ROADWAY CURB SIDE.
5. APPLIES TO BUFFER AND AMENITY ZONES AT STREETScape TYPE A AND B.
6. APPLIES TO BUFFER ZONES AT STREETScape TYPE C.
7. APPLIES TO BUFFER ZONES NEAR SIGNIFICANT INTERSECTIONS, MINOR INTERSECTIONS/CROSSINGS, AND MID-BLOCK CROSSINGS.



SURFACE MOUNT INSTALLATION




LAYOUT PLAN (NORTH SIDE & STREETScape TYPE C)



LAYOUT PLAN (SOUTH SIDE AT STREETScape TYPE A & B)



NOTE: THIS PLAN IS NOT A LEGAL ENGINEERING DOCUMENT BUT AN ELECTRONIC DUPLICATE. THE ORIGINAL, SIGNED BY THE ENGINEER AND APPROVED FOR PUBLICATION IS KEPT ON FILE AT THE CITY OF KENT. A COPY MAY BE OBTAINED UPON REQUEST.

		CITY OF KENT ENGINEERING DEPARTMENT	
		MEEKER STREET BENCH TYPE 1	
DESIGNED: COK	SCALE: NONE	STANDARD PLAN	
DRAWN: COK	DATE: 8/2020	7-1	
CHECKED: COK	ENGINEER		
APPROVED:			