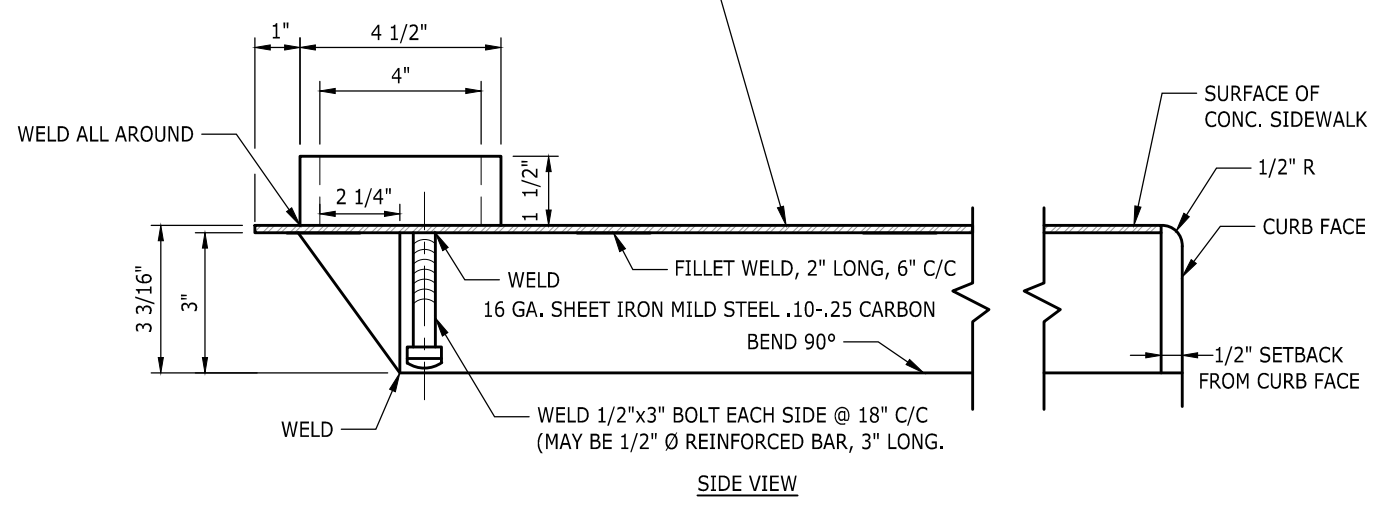


3/8" STEEL SLIP RESISTANT SURFACE



NOTE: THIS PLAN IS NOT A LEGAL ENGINEERING DOCUMENT BUT AN ELECTRONIC DUPLICATE. THE ORIGINAL, SIGNED BY THE ENGINEER AND APPROVED FOR PUBLICATION IS KEPT ON FILE AT THE CITY OF KENT. A COPY MAY BE OBTAINED UPON REQUEST.



DESIGNED <u>COK</u>	SCALE <u>NONE</u>	STANDARD PLAN
DRAWN <u>COK</u>	DATE <u>12/2019</u>	5-39b
CHECKED <u>COK</u>	ENGINEER	
APPROVED _____		