

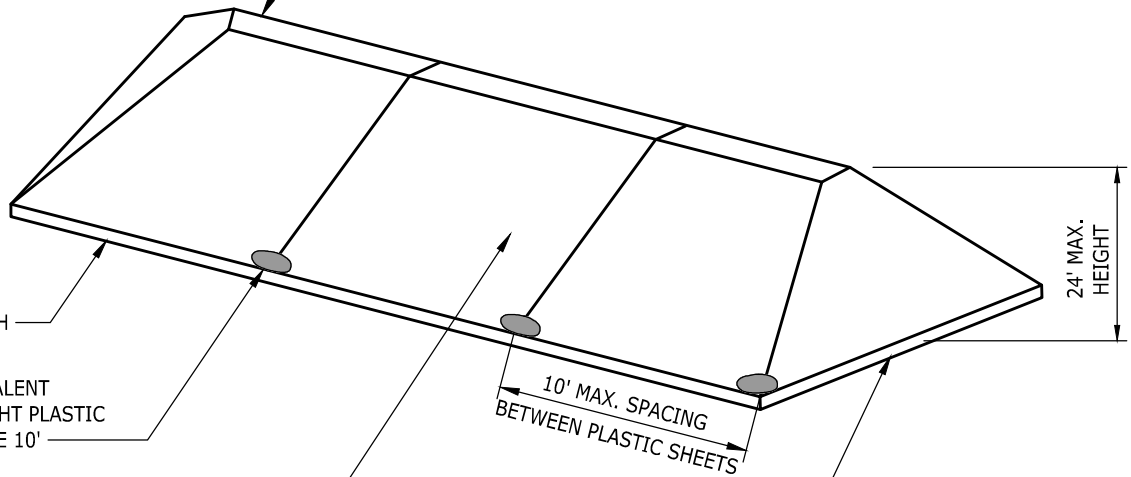
FOR FURTHER INFORMATION ON STOCKPILING MATERIAL SEE
CITY OF KENT DESIGN AND CONSTRUCTION STANDARDS SECTION 2.3.E

BURY SHEETING
INTO EXISTING SOIL
MINIMUM 4"X4" TRENCH

SANDBAGS, OR EQUIVALENT
MAY BE USED TO WEIGHT PLASTIC
MAX SPACING SHALL BE 10'

CLEAR PLASTIC SHEETING SHALL
HAVE A MINIMUM THICKNESS OF 6 MIL.

BURY SHEETING
INTO EXISTING SOIL
MINIMUM 4"X4" TRENCH




NOTES:

1. PLASTIC SHEETING SHALL MEET ASTM D 4397 REQUIREMENTS.
2. MAXIMUM PERMITTED SLOPE SHALL BE 2H:1V.
3. SEAMS BETWEEN SHEETS MUST OVERLAP A MINIMUM OF 12" AND BE WEIGHTED OR TAPED.
4. TEMPORARY STOCKPILES SHALL NOT BLOCK THE SIGHT DISTANCES OF ANY INTERSECTION OR DRIVEWAY.

NOTE: THIS PLAN IS NOT A LEGAL ENGINEERING DOCUMENT BUT AN ELECTRONIC DUPLICATE. THE ORIGINAL, SIGNED BY THE ENGINEER AND APPROVED FOR PUBLICATION IS KEPT ON FILE AT THE CITY OF KENT. A COPY MAY BE OBTAINED UPON REQUEST.



		CITY OF KENT ENGINEERING DEPARTMENT	
		TEMPORARY STOCKPILING	
DESIGNED <u>COK</u>	SCALE <u>NONE</u>	STANDARD PLAN	
DRAWN <u>COK</u>	DATE <u>12/2019</u>	5-35	
CHECKED <u>COK</u>	ENGINEER		
APPROVED _____			