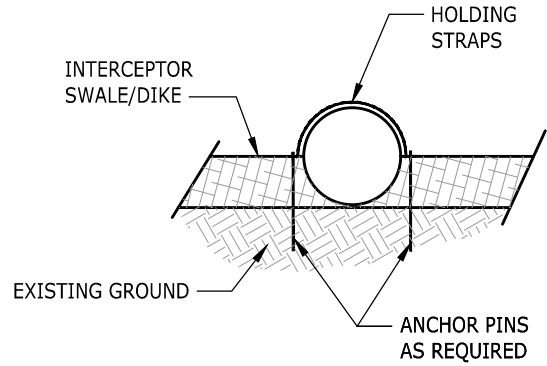
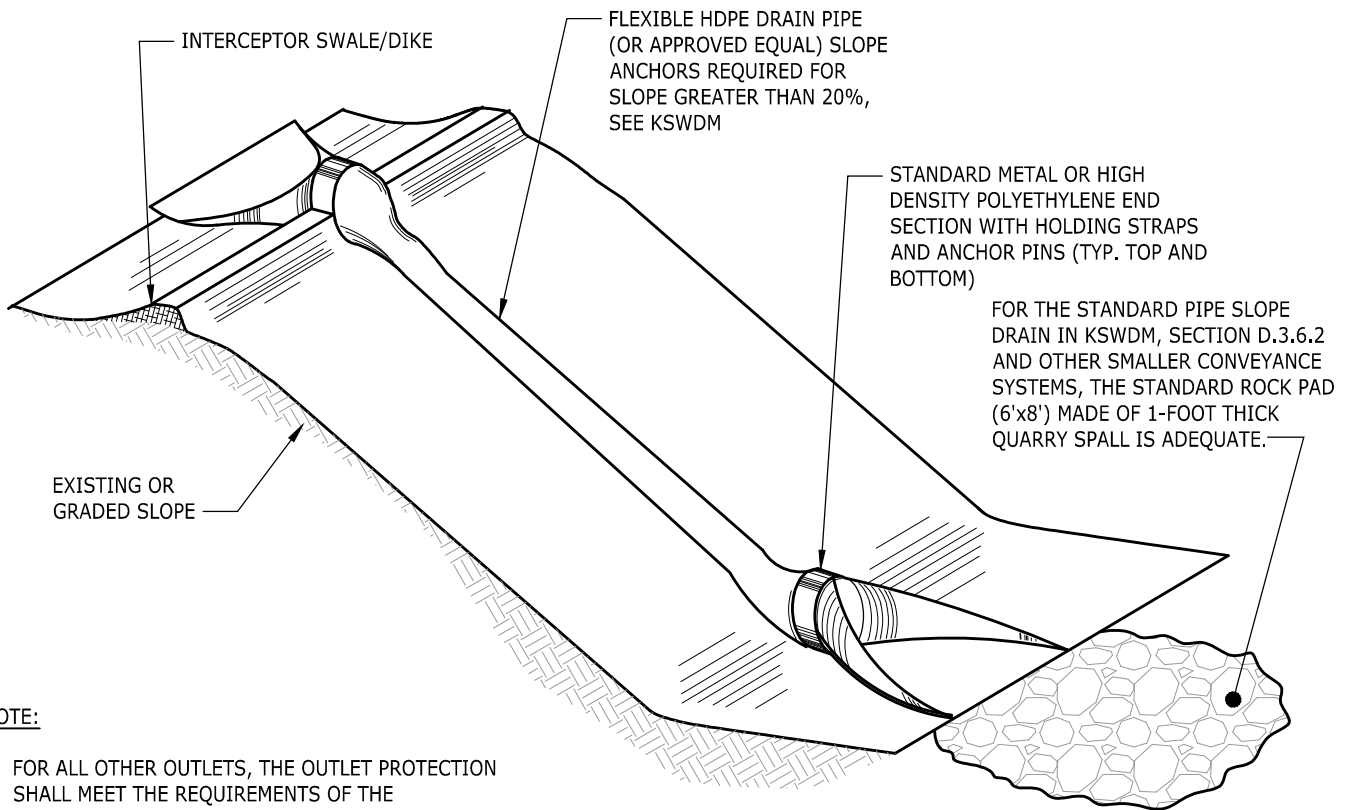


PLAN



SECTION A-A



FLEXIBLE HDPE DRAIN PIPE (OR APPROVED EQUAL) SLOPE ANCHORS REQUIRED FOR SLOPE GREATER THAN 20%, SEE KSWDM

STANDARD METAL OR HIGH DENSITY POLYETHYLENE END SECTION WITH HOLDING STRAPS AND ANCHOR PINS (TYP. TOP AND BOTTOM)

FOR THE STANDARD PIPE SLOPE DRAIN IN KSWDM, SECTION D.3.6.2 AND OTHER SMALLER CONVEYANCE SYSTEMS, THE STANDARD ROCK PAD (6'x8') MADE OF 1-FOOT THICK QUARRY SPALL IS ADEQUATE.

EXISTING OR GRADED SLOPE

NOTE:

1. FOR ALL OTHER OUTLETS, THE OUTLET PROTECTION SHALL MEET THE REQUIREMENTS OF THE "OUTFALLS" SECTION OF CORE REQUIREMENTS #4 AND SECTION 4.2.2. OF THE KSWDM.

ISOMETRIC

NOTE: THIS PLAN IS NOT A LEGAL ENGINEERING DOCUMENT BUT AN ELECTRONIC DUPLICATE. THE ORIGINAL, SIGNED BY THE ENGINEER AND APPROVED FOR PUBLICATION IS KEPT ON FILE AT THE CITY OF KENT. A COPY MAY BE OBTAINED UPON REQUEST.



		<b>CITY OF KENT</b> ENGINEERING DEPARTMENT	
		<b>TESC PIPE SLOPE DRAIN</b>	
DESIGNED <u>COK</u>	SCALE <u>NONE</u>	STANDARD PLAN	
DRAWN <u>COK</u>	DATE <u>12/2019</u>	<b>5-34</b>	
CHECKED <u>COK</u>	ENGINEER		
APPROVED _____			