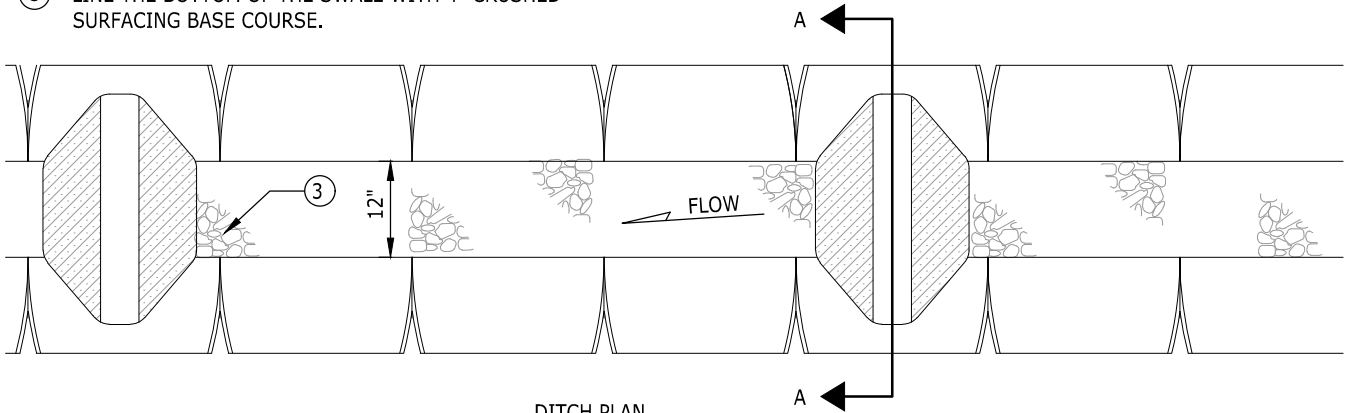


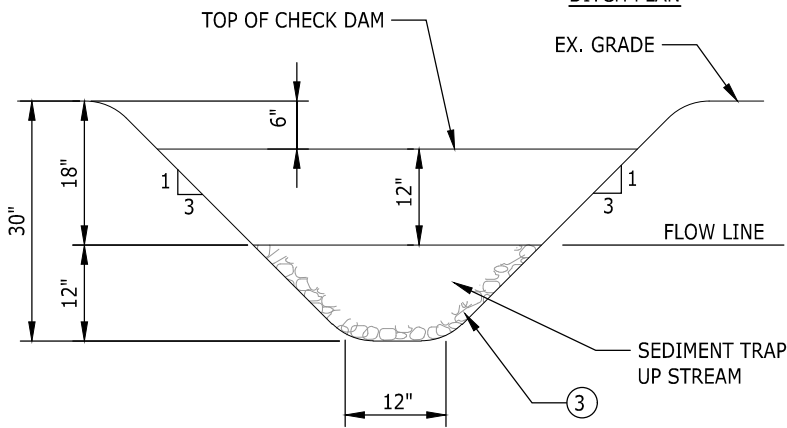
**DITCH PROFILE**

**DETAIL NOTES:**

- ① DAM SPACING
- ② SEDIMENT TRAP LENGTH
- ③ LINE THE BOTTOM OF THE SWALE WITH 4" CRUSHED SURFACING BASE COURSE.



**DITCH PLAN**



**SECTION A-A**

**TABLE A**

SLOPE FT/FT	①	②
1:100	100	10
1:50	50	10
1:25	25	5
1:20	20	4
1:15	15	3
1:10	10	2
1:5	5	0

**GENERAL NOTES:**

1. SUMP BEHIND ROCK CHECK DAM SHALL BE INSPECTED DAILY, AND CLEANED WHEN COLLECTED DEBRIS EXCEEDS 1/2 OF ITS DEPTH.



NOTE: THIS PLAN IS NOT A LEGAL ENGINEERING DOCUMENT BUT AN ELECTRONIC DUPLICATE. THE ORIGINAL, SIGNED BY THE ENGINEER AND APPROVED FOR PUBLICATION IS KEPT ON FILE AT THE CITY OF KENT. A COPY MAY BE OBTAINED UPON REQUEST.

	<b>CITY OF KENT</b> ENGINEERING DEPARTMENT	
	<b>TESC INTERCEPTOR DITCH WITH ROCK CHECK DAMS</b>	
DESIGNED <u>COK</u>	SCALE <u>NONE</u>	STANDARD PLAN
DRAWN <u>COK</u>	DATE <u>12/2019</u>	<b>5-33</b>
CHECKED <u>COK</u>	ENGINEER	
APPROVED _____		