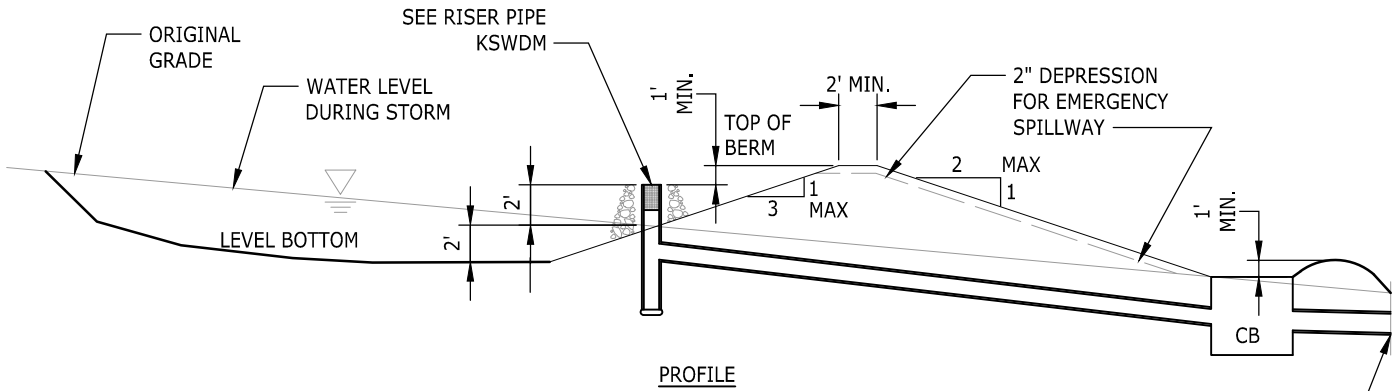


PLAN

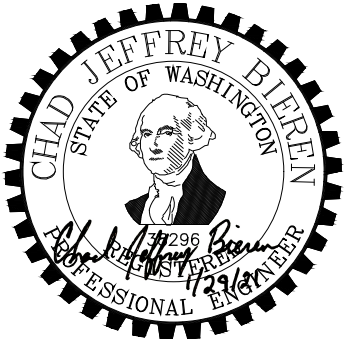


PROFILE

GENERAL NOTES:

1. SHAPE OF SEDIMENTATION POND MAY VARY TO FIT DRAINAGE AREA AND TERRAIN. MODIFY AS NECESSARY TO ENSURE SATISFACTORY TRAPPING OF SEDIMENT.
2. USE THE KENT SURFACE WATER DESIGN MANUAL TO DETERMINE THE TRAP GEOMETRY.
3. TO AID IN DETERMINING SEDIMENT DEPTH, ALL TRAPS SHALL HAVE A STAFF GAUGE WITH A PROMINENT MARK 1 FOOT ABOVE THE BOTTOM OF THE TRAP. CONTRACTOR SHALL RESTORE THE TRAP BACK TO ORIGINAL DEPTH AND SIZE WHEN THE SEDIMENT REACHES THIS LEVEL.
4. FOR USE ON SITES LESS THAN 1 ACRE IN SIZE.
5. TRAP MAY BE BERM OR BY PARTIAL OR COMPLETE EXCAVATION.

NOTE: THIS PLAN IS NOT A LEGAL ENGINEERING DOCUMENT BUT AN ELECTRONIC DUPLICATE. THE ORIGINAL, SIGNED BY THE ENGINEER AND APPROVED FOR PUBLICATION IS KEPT ON FILE AT THE CITY OF KENT. A COPY MAY BE OBTAINED UPON REQUEST.



		CITY OF KENT ENGINEERING DEPARTMENT	
		TESC SEDIMENT TRAP EARTH BERM	
DESIGNED	COK	SCALE	NONE
DRAWN	COK	DATE	12/2019
CHECKED	COK	ENGINEER	
APPROVED			
			STANDARD PLAN
			5-32