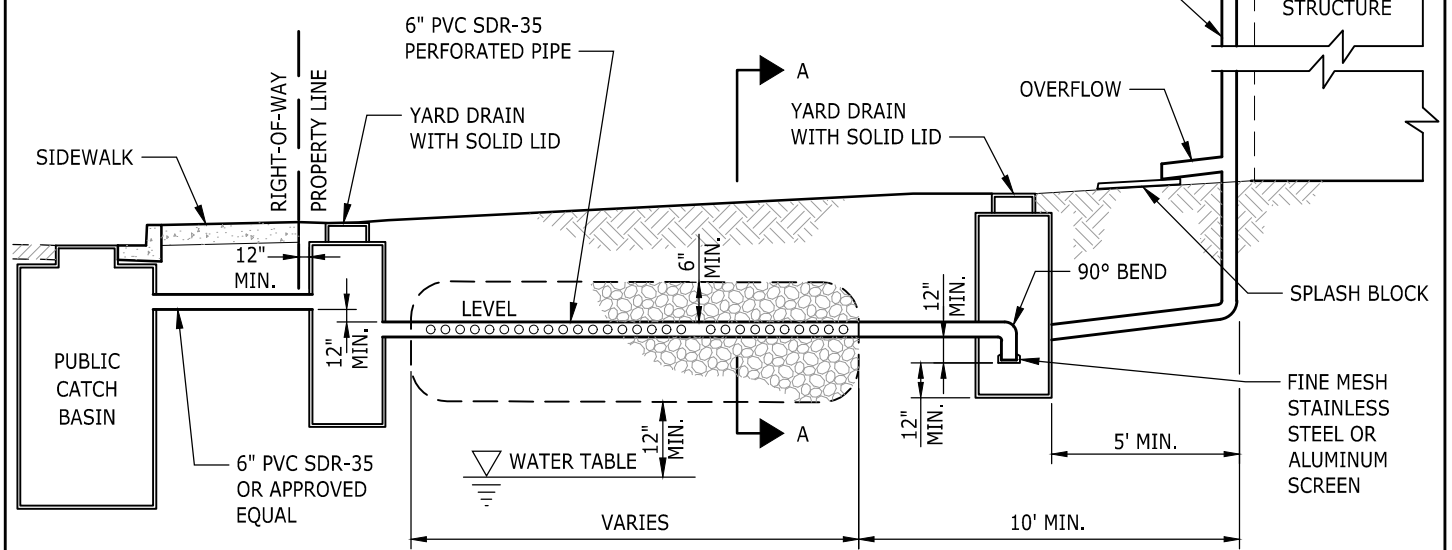
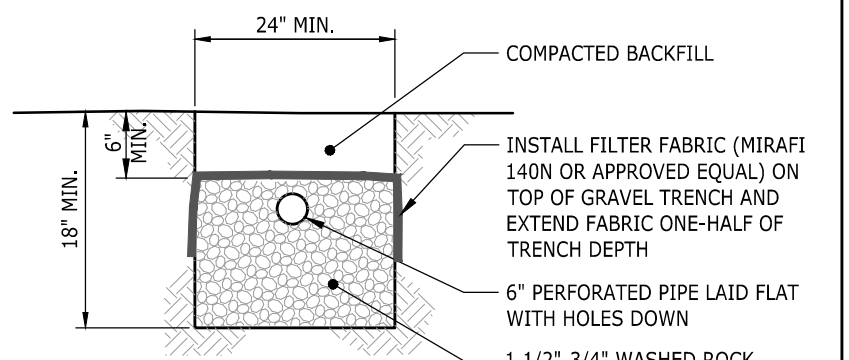


PLAN VIEW



PROFILE VIEW




SECTION A-A

NOTE:
 DESIGN PER THE CURRENT VERSION OF THE
 KENT SURFACE WATER DESIGN MANUAL 1.2.3.2,
 AND THE KING COUNTY SURFACE WATER DESIGN
 MANUAL C.2.2.3.

NOTE: THIS PLAN IS NOT A LEGAL ENGINEERING DOCUMENT BUT AN ELECTRONIC DUPLICATE. THE ORIGINAL, SIGNED BY THE ENGINEER AND APPROVED FOR PUBLICATION IS KEPT ON FILE AT THE CITY OF KENT. A COPY MAY BE OBTAINED UPON REQUEST.



	CITY OF KENT ENGINEERING DEPARTMENT	
	TRENCH INFILTRATION SYSTEM	
DESIGNED: COK	SCALE: NONE	STANDARD PLAN
DRAWN: COK	DATE: 12/2019	5-26
CHECKED: COK	ENGINEER	
APPROVED:		