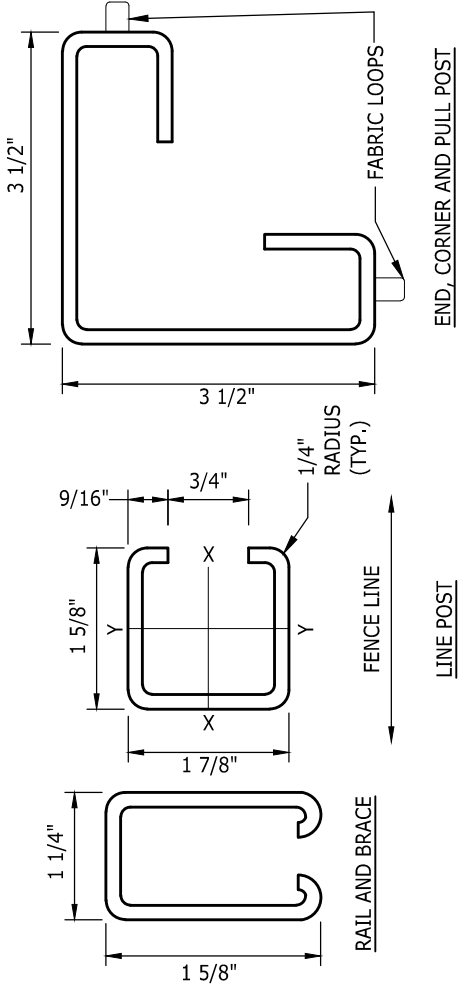


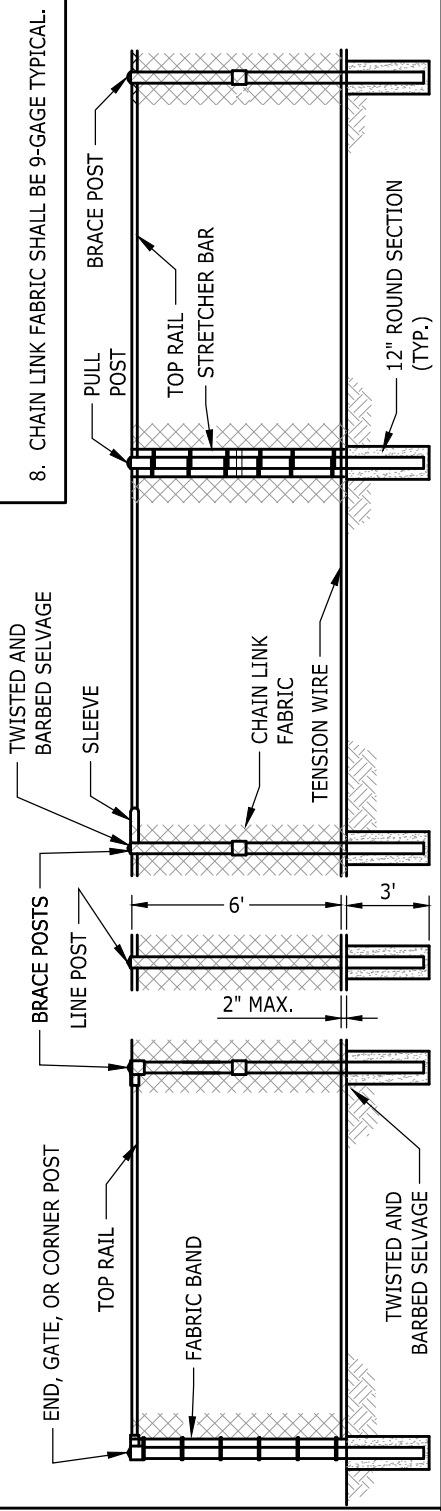
TYPE	TOP RAIL				LINE & BRACE POST				END, CORNER & PULL POST				GATE POST		ALL POSTS LENGTH		
	ROUND		HI-COLUMN		ROLL FORMED		ROUND		ROLL FORMED		ROUND		ROUND				
	WEIGHT PER FOOT (POUNDS)	SIZE (INCHES)	WEIGHT PER FOOT (POUNDS)	SIZE (INCHES)	WEIGHT PER FOOT (POUNDS)	SIZE (INCHES)	WEIGHT PER FOOT (POUNDS)	SIZE (INCHES)	WEIGHT PER FOOT (POUNDS)	SIZE (INCHES)	WEIGHT PER FOOT (POUNDS)	SIZE (INCHES)	WEIGHT PER FOOT (POUNDS)	SIZE (INCHES)			
1	2.27	1 1/4	1.35	1 1/4 X 1 1/4	1.35	1 5/8 X 1 1/4	3.65	2	1 5/8 X 1 7/8	2.34	2 1/2	5.79	3 1/2 X 3 1/2	5.14	3 1/2	9.1	8'-8"

NOTES:

1. INSTALLATION SHALL BE PER SECTION 8-12 AND 9-16 OF THE WSDOT STANDARD SPECIFICATIONS, EXCEPT WHERE MODIFIED HERE.
2. ALL CONCRETE POST BASES SHALL BE 12" MINIMUM DIAMETER.
3. ALL POSTS SHALL BE SPACED AT 10' MAXIMUM INTERVALS AND SET IN CONCRETE UNLESS OTHERWISE DIRECTED BY THE ENGINEER.
4. BOTTOM TENSION WIRE SHALL BE PLACED WITHIN THE LIMITS OF THE FIRST FULL FABRIC WEAVE.
5. DETAILS ARE ILLUSTRATIVE AND SHALL NOT LIMIT HARDWARE DESIGN OR POST SELECTION OF ANY PARTICULAR FENCE TYPE.
6. COATING FOR POSTS, TOP RAIL, FITTINGS AND FABRIC SHALL BE VINYL OR POWDER COATED FROM THE FACTORY. COLOR SHALL BE COMPATIBLE WITH THE SURROUNDING ENVIRONMENT; GREEN FOR VEGETATED, OPEN OR GRASSY AREAS; BLACK FOR WOODED OR SHADED AREAS.
7. SEE STANDARD PLAN 5-23 FOR GATE DETAIL.
8. CHAIN LINK FABRIC SHALL BE 9-GAGE TYPICAL.



ROLL FORMED SECTIONS



NOTE: THIS PLAN IS NOT A LEGAL ENGINEERING DOCUMENT BUT AN ELECTRONIC DUPLICATE. THE ORIGINAL, SIGNED BY THE ENGINEER AND APPROVED FOR PUBLICATION IS KEPT ON FILE AT THE CITY OF KENT. A COPY MAY BE OBTAINED UPON REQUEST.



		CITY OF KENT ENGINEERING DEPARTMENT	
		CHAIN LINK FENCE, TYPE 1 FOR PONDS ONLY	
DESIGNED: COK	SCALE: NONE	STANDARD PLAN	
DRAWN: COK	DATE: 12/2019	5-22	
CHECKED: COK	ENGINEER		
APPROVED: _____			