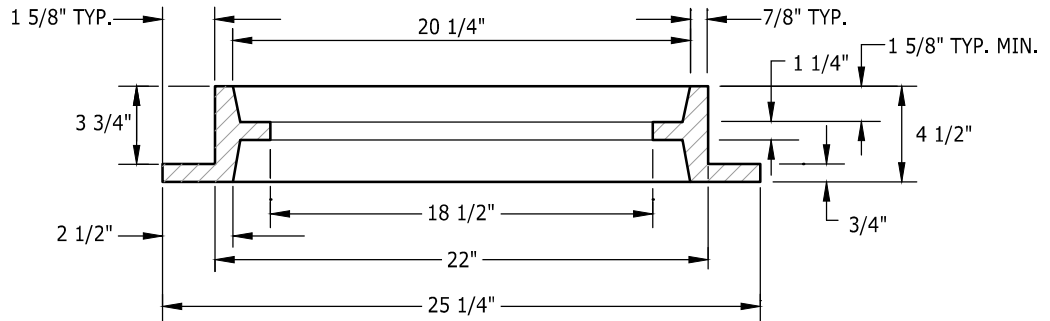


TOP VIEW




SECTION A-A

NOTES:

1. MATERIAL USED FOR THE FRAME SHALL BE CAST IRON ONLY. (PER ASTM A48 CL30 H-20 LOADING).
2. TOP OF FRAME SHALL BE ADJUSTED EVEN WITH ROADWAY SECTION.

NOTE: THIS PLAN IS NOT A LEGAL ENGINEERING DOCUMENT BUT AN ELECTRONIC DUPLICATE. THE ORIGINAL, SIGNED BY THE ENGINEER AND APPROVED FOR PUBLICATION IS KEPT ON FILE AT THE CITY OF KENT. A COPY MAY BE OBTAINED UPON REQUEST.



		CITY OF KENT ENGINEERING DEPARTMENT	
		20"X 24" CATCH BASIN FRAME	
DESIGNED <u>COK</u>	SCALE <u>NONE</u>	STANDARD PLAN	
DRAWN <u>COK</u>	DATE <u>12/2019</u>	5-4	
CHECKED <u>COK</u>	ENGINEER		
APPROVED _____			