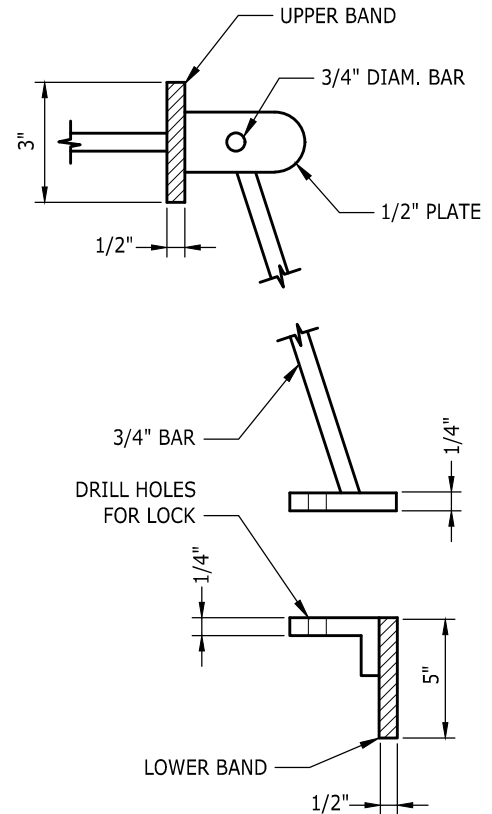
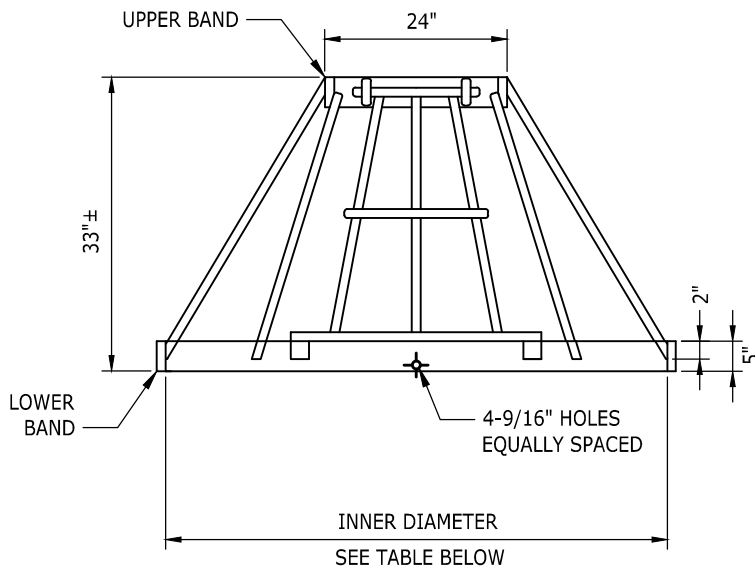


*NOTE: BARS OMITTED ON DRAWING

PLAN



ENTRY GATE DETAIL



ELEVATION

CB	INNER DIAM.
48"	58"
54"	65"
60"	72"
72"	86"
96"	114"

NOTES:

1. ALL STEEL IN PLATES, BARS AND BANDS SHALL CONFORM TO THE REQUIREMENTS OF ASTM A36.
2. DEBRIS CAGE SHALL BE HOT-DIP GALVANIZED IN ACCORDANCE WITH AASHTO M111 (ASTM A123).
3. ENTRY GATE SHALL BE LOCKABLE WITH A CITY OF KENT PADLOCK.

NOTE: THIS PLAN IS NOT A LEGAL ENGINEERING DOCUMENT BUT AN ELECTRONIC DUPLICATE. THE ORIGINAL, SIGNED BY THE ENGINEER AND APPROVED FOR PUBLICATION IS KEPT ON FILE AT THE CITY OF KENT. A COPY MAY BE OBTAINED UPON REQUEST.



	CITY OF KENT ENGINEERING DEPARTMENT	
	DEBRIS CAGE	
DESIGNED <u>COK</u>	SCALE <u>NONE</u>	STANDARD PLAN
DRAWN <u>COK</u>	DATE <u>12/2019</u>	5-15
CHECKED <u>COK</u>	ENGINEER	
APPROVED _____		