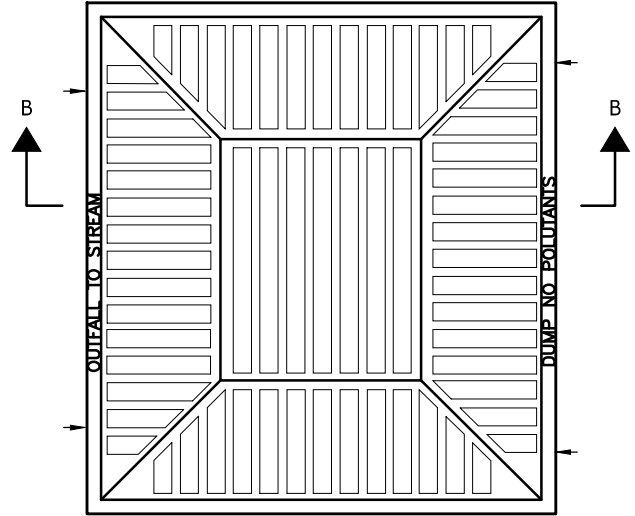
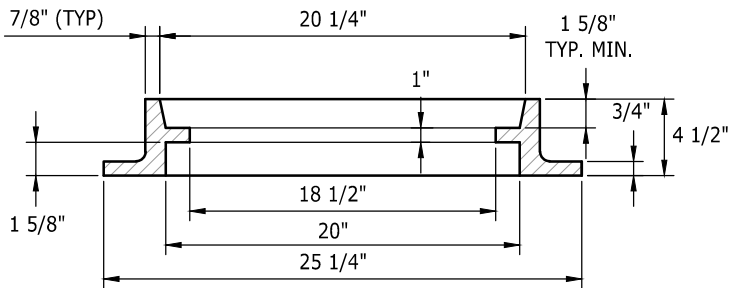


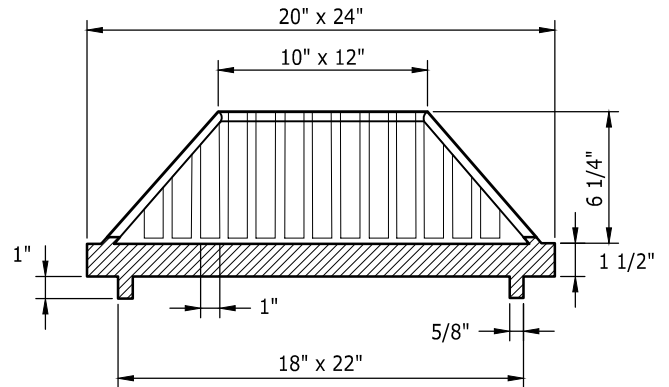
TOP VIEW



PLAN



SECTION A-A




SECTION B-B  
LOCKING BEEHIVE GRATE

NOTES:

1. MATERIAL USED FOR THE FRAME SHALL BE CAST IRON ONLY. (PER ASTM A48 CL30 H-20 LOADING).
2. TOP OF FRAME SHALL BE ADJUSTED EVEN WITH ROADWAY SECTION.
3. MATERIAL: DUCTILE IRON ASTM A536, CL 80-55-06.
4. PROVIDE 2-5/8" LONG STAINLESS STEEL ALLEN TYPE BOLTS COUNTER SUNK FLUSH WITH COVER.

NOTE: THIS PLAN IS NOT A LEGAL ENGINEERING DOCUMENT BUT AN ELECTRONIC DUPLICATE. THE ORIGINAL, SIGNED BY THE ENGINEER AND APPROVED FOR PUBLICATION IS KEPT ON FILE AT THE CITY OF KENT. A COPY MAY BE OBTAINED UPON REQUEST.



		<b>CITY OF KENT</b> ENGINEERING DEPARTMENT	
		<b>20" x 24" RECTANGLE</b> <b>BEEHIVE GRATE AND CATCH</b> <b>BASIN FRAME</b>	
DESIGNED <u>COK</u>	SCALE <u>NONE</u>	STANDARD PLAN	
DRAWN <u>COK</u>	DATE <u>12/2019</u>	<b>5-14</b>	
CHECKED <u>COK</u>	ENGINEER		
APPROVED _____			